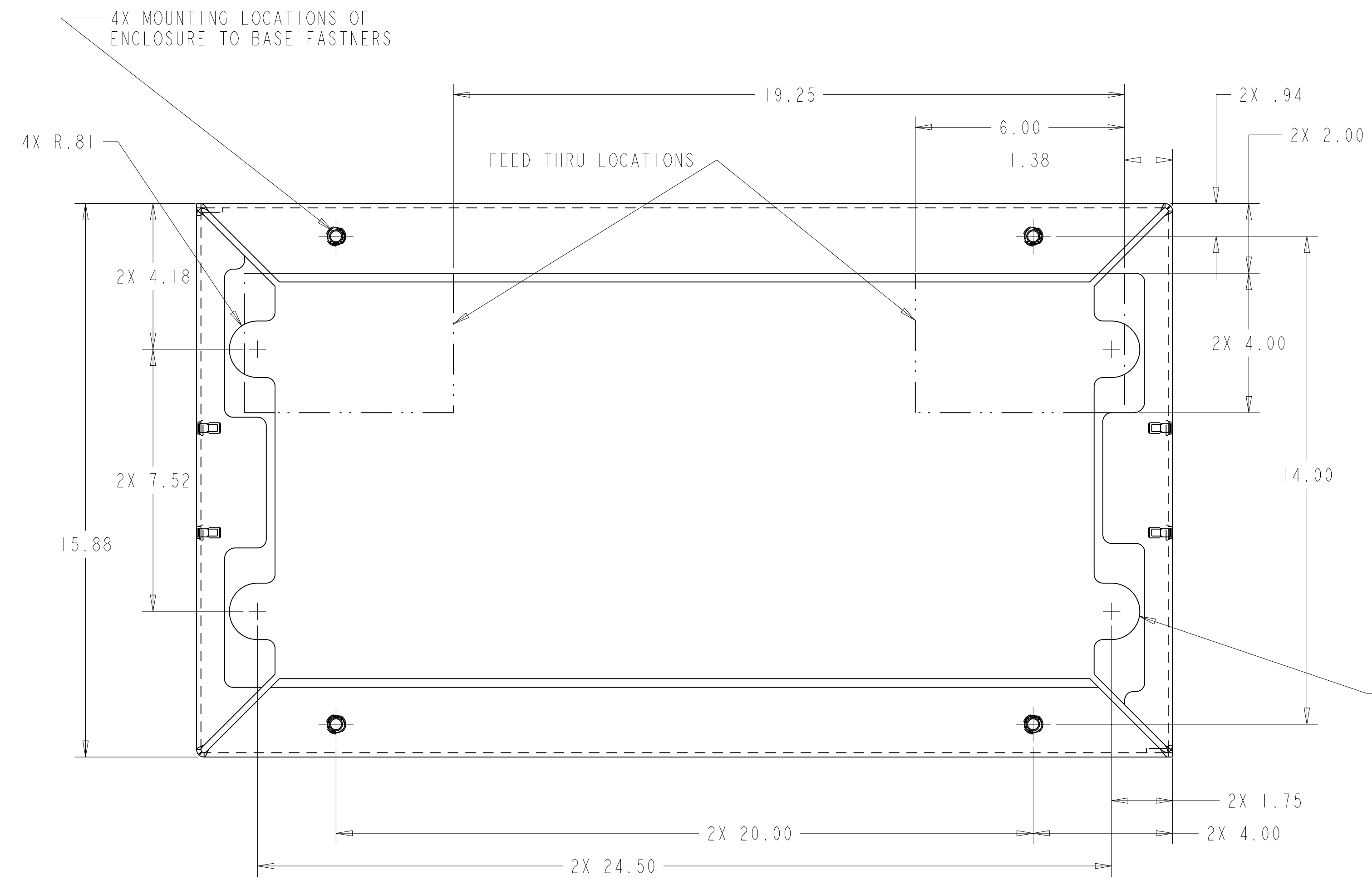
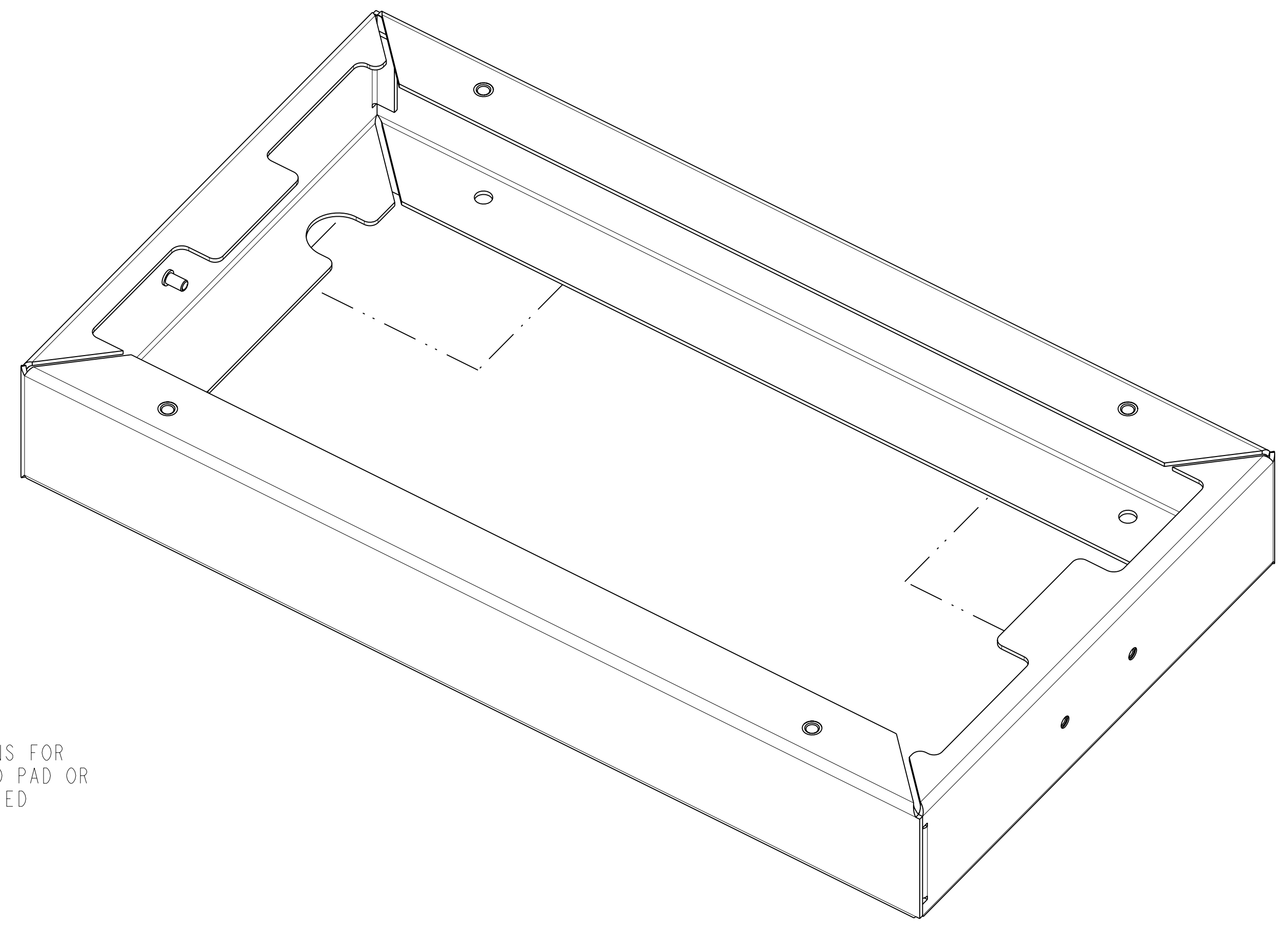


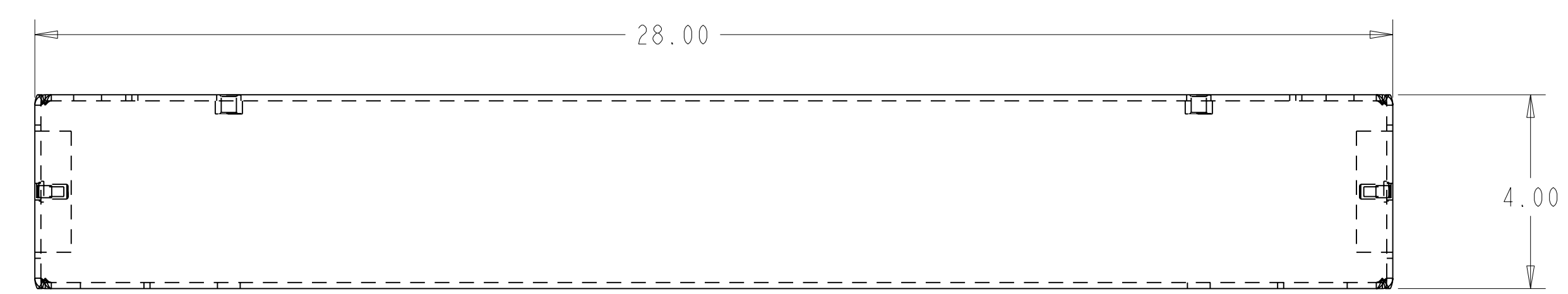
REV	DESCRIPTION OF CHANGE	BY	ECO	REV DATE
A	INITIAL ENGINEERING RELEASE	TFH	NONE	14-APR-06



4X LOCATIONS FOR MOUNTING TO PAD OR LID OF BURIED ENCLOSURE



SCALE 0.400



<small>ASME Y14.5M - 1994</small> 		<small>UNLESS OTHERWISE SPECIFIED</small> X.X +/- 0.1 X.XX +/- 0.01 X.XXX +/- 0.001 MACH ANG ± 0°30' FORMED ANG ± 2° CHAMFER ± .5 BREAK EDGES: R.01 OR 45° X .01 MAX INTERNAL MACH R.02 MAX DIMENSIONS ARE IN INCHES DO NOT SCALE DRAWING		MATERIAL: .125 ALUM FINISH: SEE NOTES		5480 NATHAN LN. SUITE 120, PLYMOUTH, MN 55442 (800) 422-2537, (763) 476-6866 APA Cables & Networks WWW.APACN.COM	
<small>COPYRIGHT APA CABLES AND NETWORKS, INC. THIS DOCUMENT IS THE PROPERTY OF APACN, INC. ITS USE IS AUTHORIZED ONLY FOR RESPONDING TO A REQUEST FOR QUOTATION OR THE PERFORMANCE OF WORK FOR APACN, INC. ALL QUESTIONS SHOULD BE DIRECTED TO APACN, INC. ENGINEERING DEPT</small>		DESIGNED BY: TBP 1/26/06 DRAWN BY: TFH APPROVED BY:		SIZE: D DRAWING NO: 114-7E-1006ANCHORS SCALE: 0.400 SHT 1 OF 1		PART NUMBER: 114-7E-1006 REV: A	
BASE ASSEMBLY, 96 FTTH ENC							