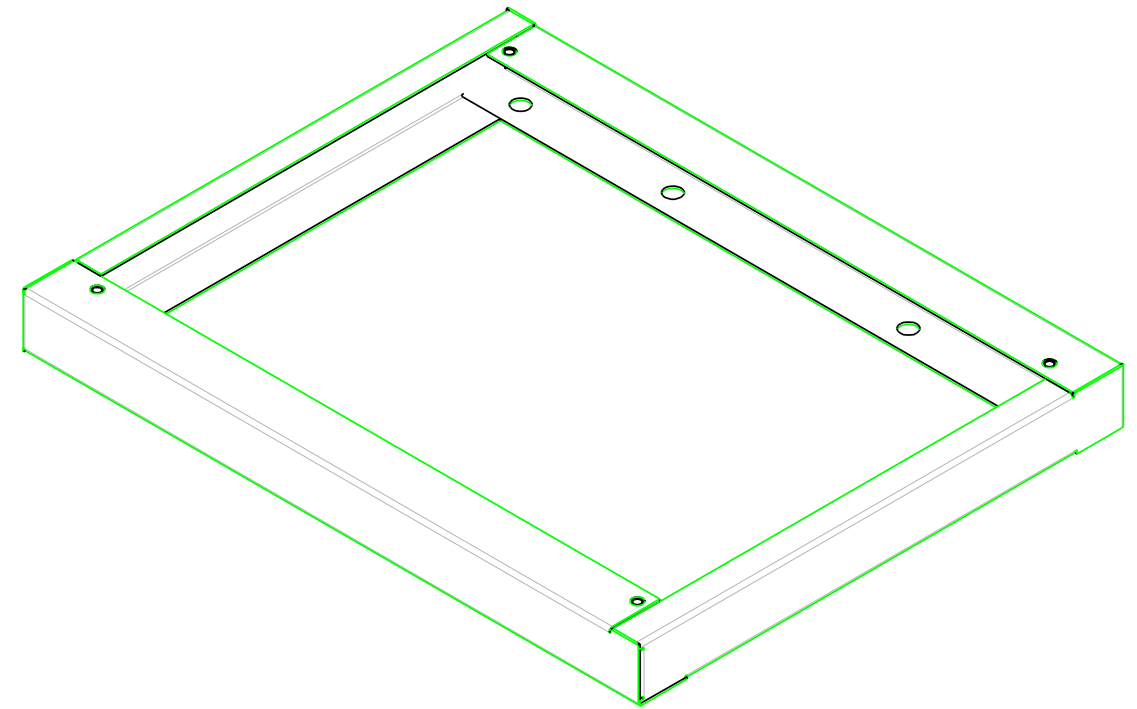
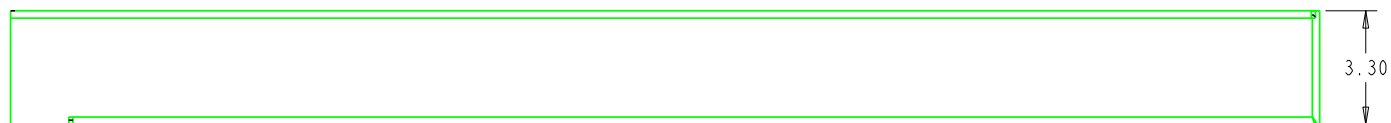


BOTTOM SIDE OF BASE

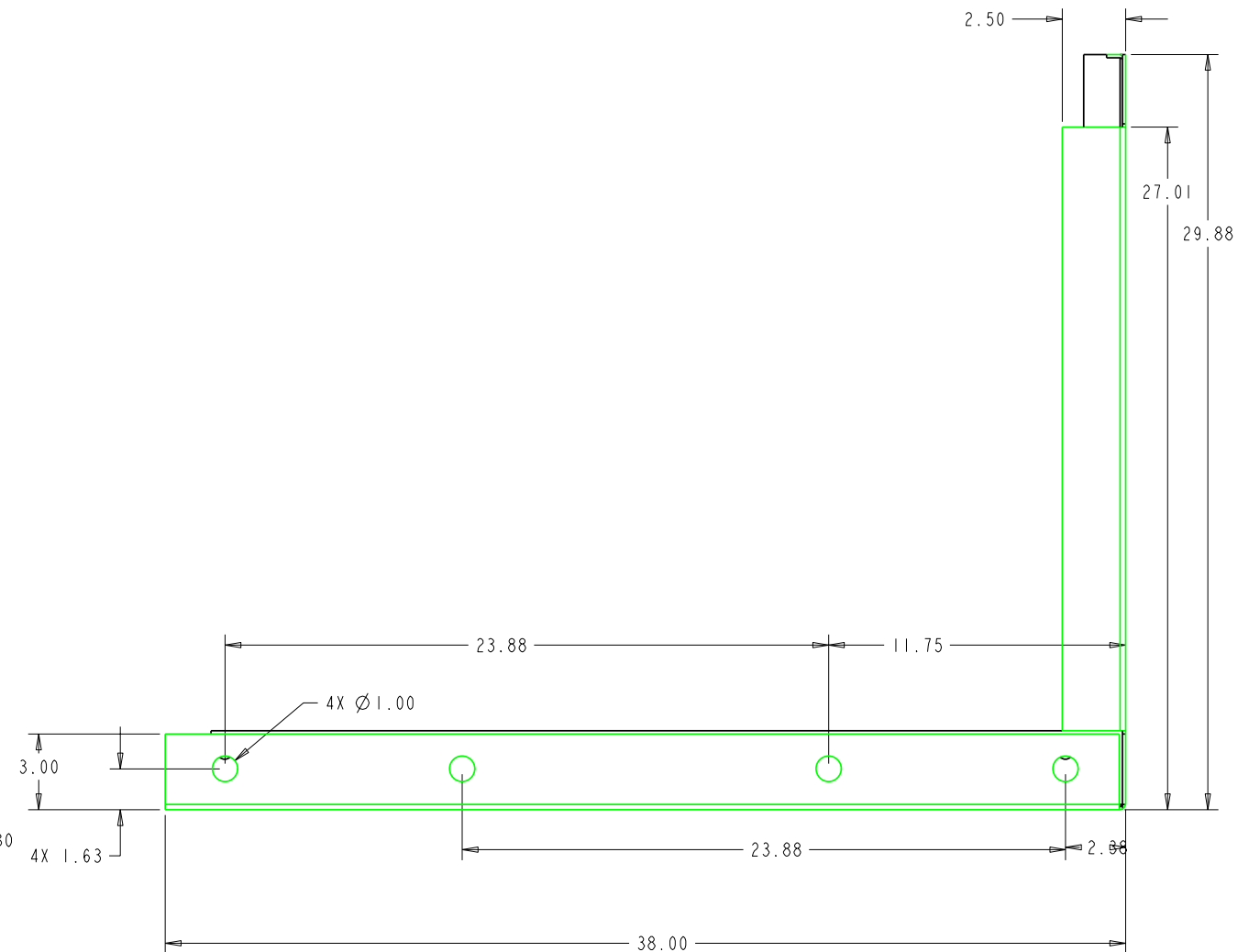
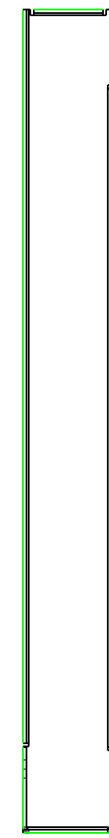
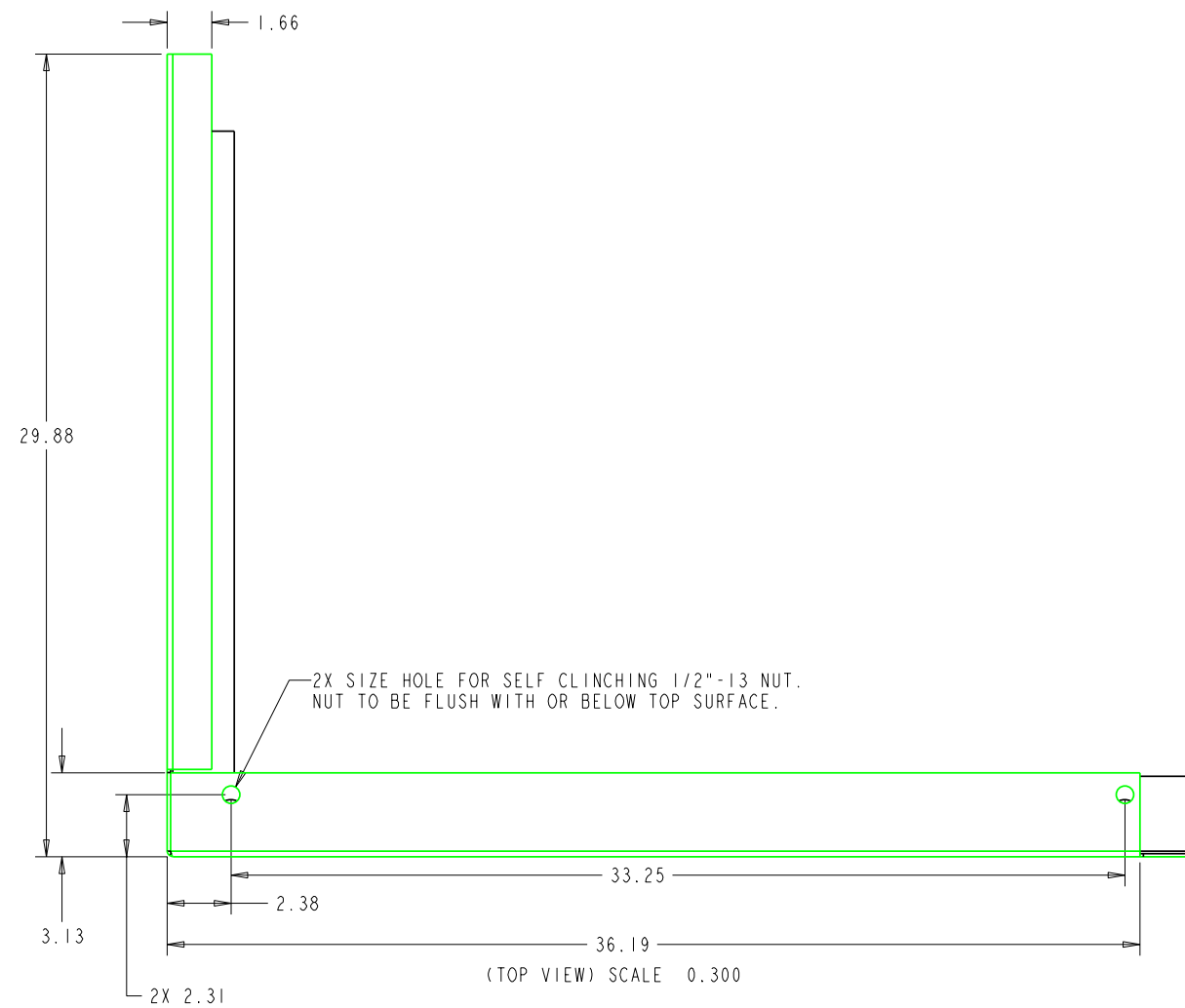
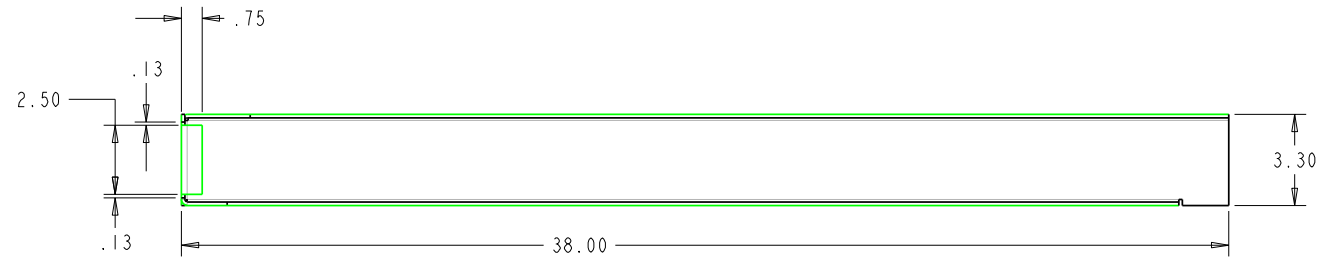


SCALE 0.250

		<b>AMERICABLE, INC.</b>		10851 LOUISIANA AVE. S BLOOMINGTON, MN 55438 (800)328-7954, (952)942-3800	
		<b>BASE, ENCLOSURE 576/816</b>			
		MAT'L SPEC: .125 AL.		<b>114-11054-1</b>	
DRAWN BY: DRB		6/28/04		FINISH SPEC: SEE NOTES	
CHECKED BY:				A	
APPV'D BY:		0.375		DRAWING NO. <b>114-11054-1</b> SHEET 1 OF 2	

.X = ±.1  
.XX = ±.01  
.XXX = ±.005  
.X° = ±.5°

REVISIONS			
REV.	DESCRIPTION	ECN NO.	DATE
	SEE SHEET 1 OF 2		



(BOTTOM VIEW)

- NOTES:  
 1 BEND RADII .090" UNLESS OTHERWISE NOTED  
 2 BEND RELIEFS .125" TYPICAL  
 3 FULLY WELD EACH SEAM AND GRIND SMOOTH

		<b>AMERICABLE, INC.</b>		10851 LOUISIANA AVE. S BLOOMINGTON, MN 55438 (800)328-7954, (952)942-3800	
		<b>BASE, ENCLOSURE 576/816</b>			
		MAT'L SPEC: .125 SS		<b>114-11054-1</b>	
DRAWN BY: DRB		6/28/04		FINISH SPEC: SEE NOTES	
CHECKED BY:				0.350 DRAWING NO. <b>114-11054-1</b>	
APPV'D BY:				SHEET 2 OF 2	