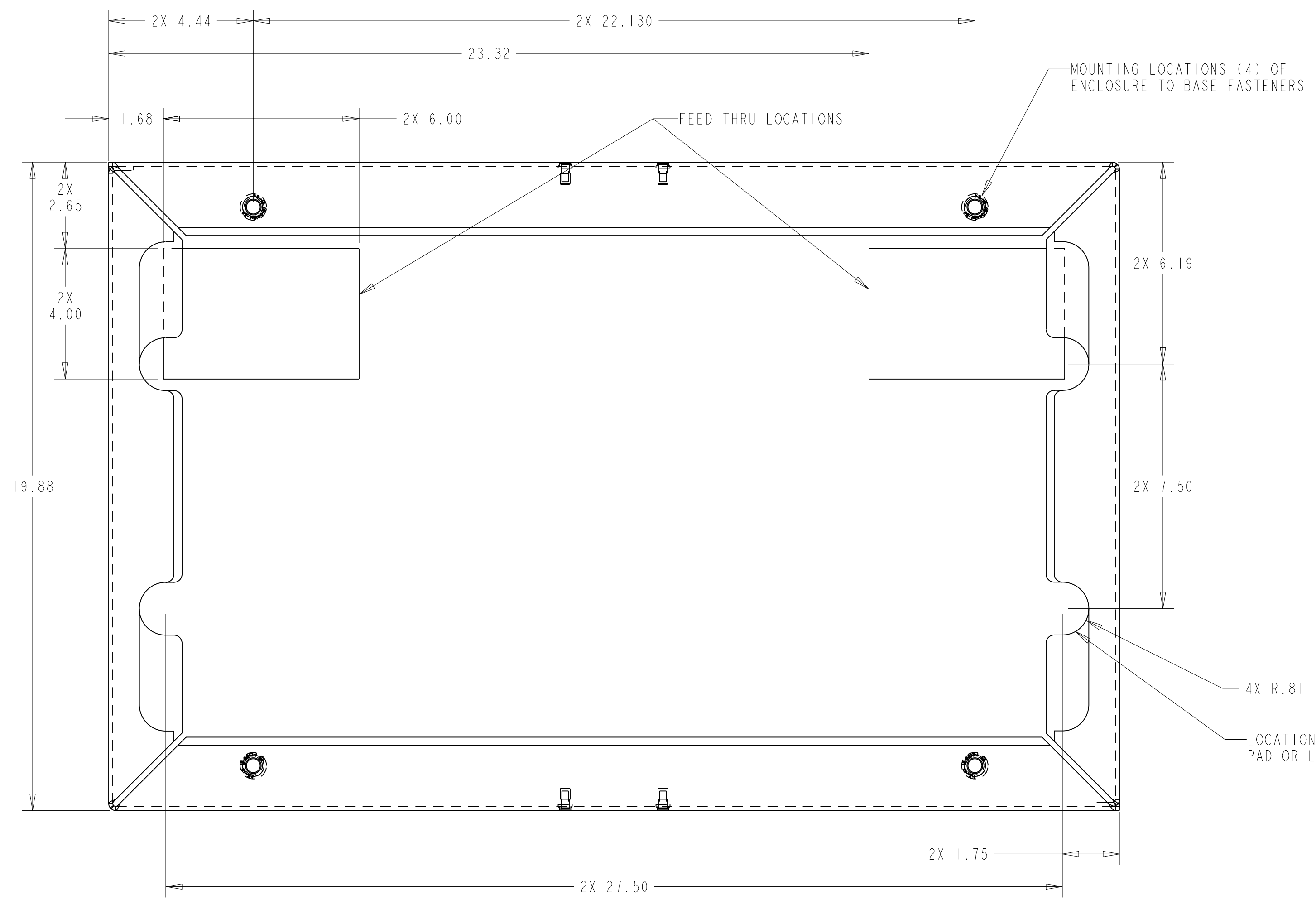
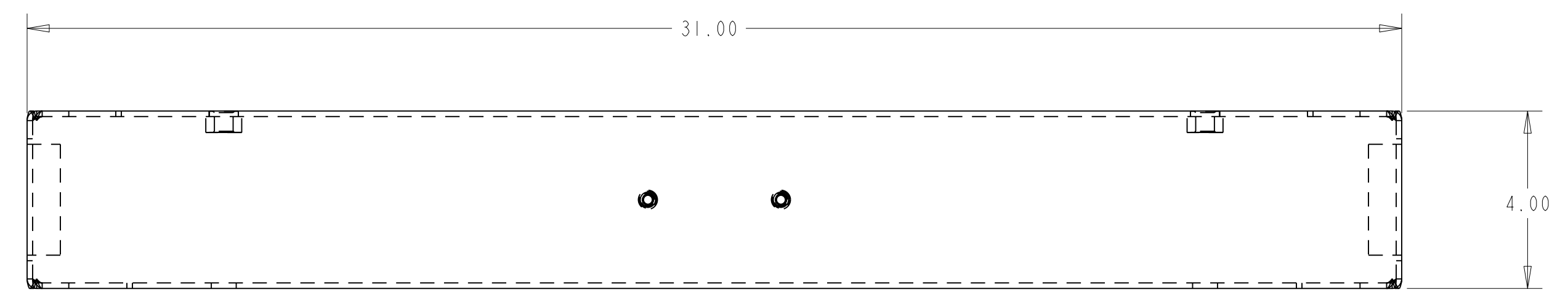


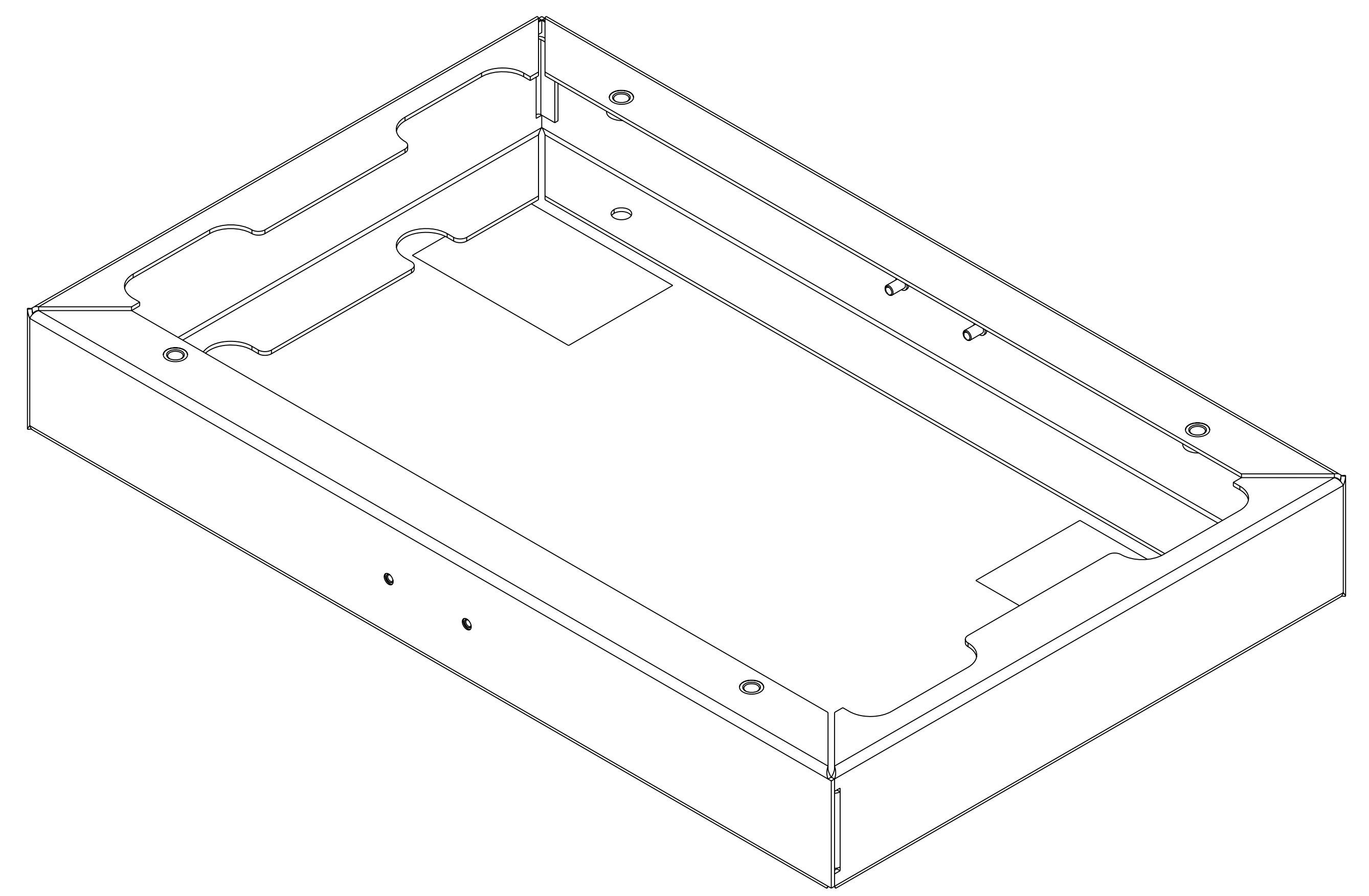
REVISIONS				
REV.	DESCRIPTION	ECN NO.	BY	DATE
A	RELEASE	N/A	---	12/14/04
B	114-3-1013 REV A-B	6020	TBP	11/10/05
C	ADDED FEED THRU AREAS	NONE	TFH	05-APR-06



TOP VIEW



FRONT VIEW



NOTES:
 1. POLYESTER POWDER PAINT PER BELLCORE TR-TSY-000013.
 2. COLOR: ALMOND.

<small>COPYRIGHT APA CABLES NETWORKS, INC. THIS DOCUMENT IS THE PROPERTY OF APA CABLES NETWORKS, INC. IT IS TO BE USED ONLY FOR THE PROJECT FOR WHICH IT WAS PREPARED. NO PART OF THIS DOCUMENT IS TO BE REPRODUCED OR TRANSMITTED IN ANY FORM OR BY ANY MEANS, ELECTRONIC OR MECHANICAL, INCLUDING PHOTOCOPYING, RECORDING, OR BY ANY INFORMATION STORAGE AND RETRIEVAL SYSTEM. ALL QUESTIONS SHOULD BE DIRECTED TO APA CABLES NETWORKS, INC. ENGINEERING DEPARTMENT.</small>		APA CABLES and NETWORKS <small>5480 NATHAN LN. SUITE 120 PLYMOUTH, MN 55442 (800) 422-2537, (763) 476-6866</small>	
DIMENSIONS AND TOLERANCES ARE IN INCHES UNLESS NOTED .X = ±.1 .XX = ±.01 .XXX = ±.005 ° = ±.5°		BASE ASM, 192/288 FTTH ENC MAT'L SPEC.: 125" AL	
DRAWN BY: CBB CHECKED BY: APP'VD BY:	12/10/04 FINISH SPEC: SEE NOTES SCALE: 0.375	PART NO.: MLBAP233 DRAWING NO.: 114-3-1012ANCHORS	REV: C SHEET 1 OF 1