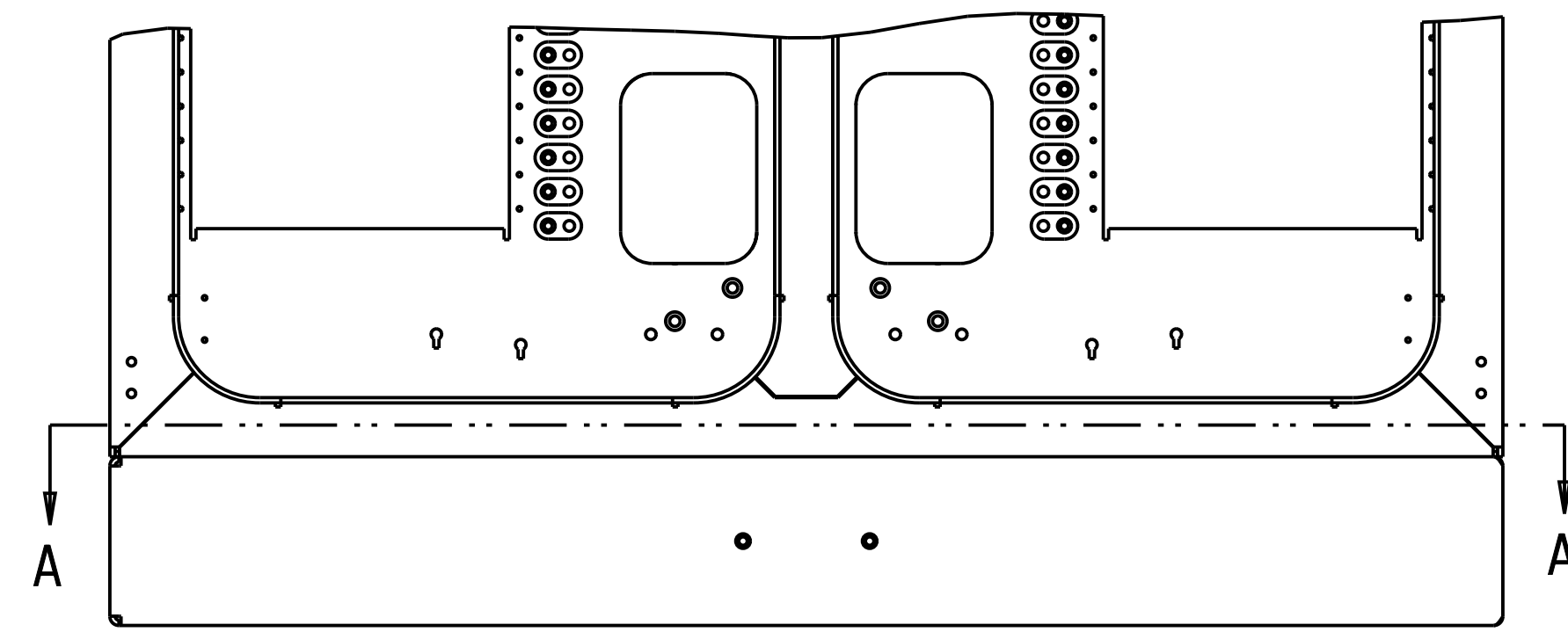
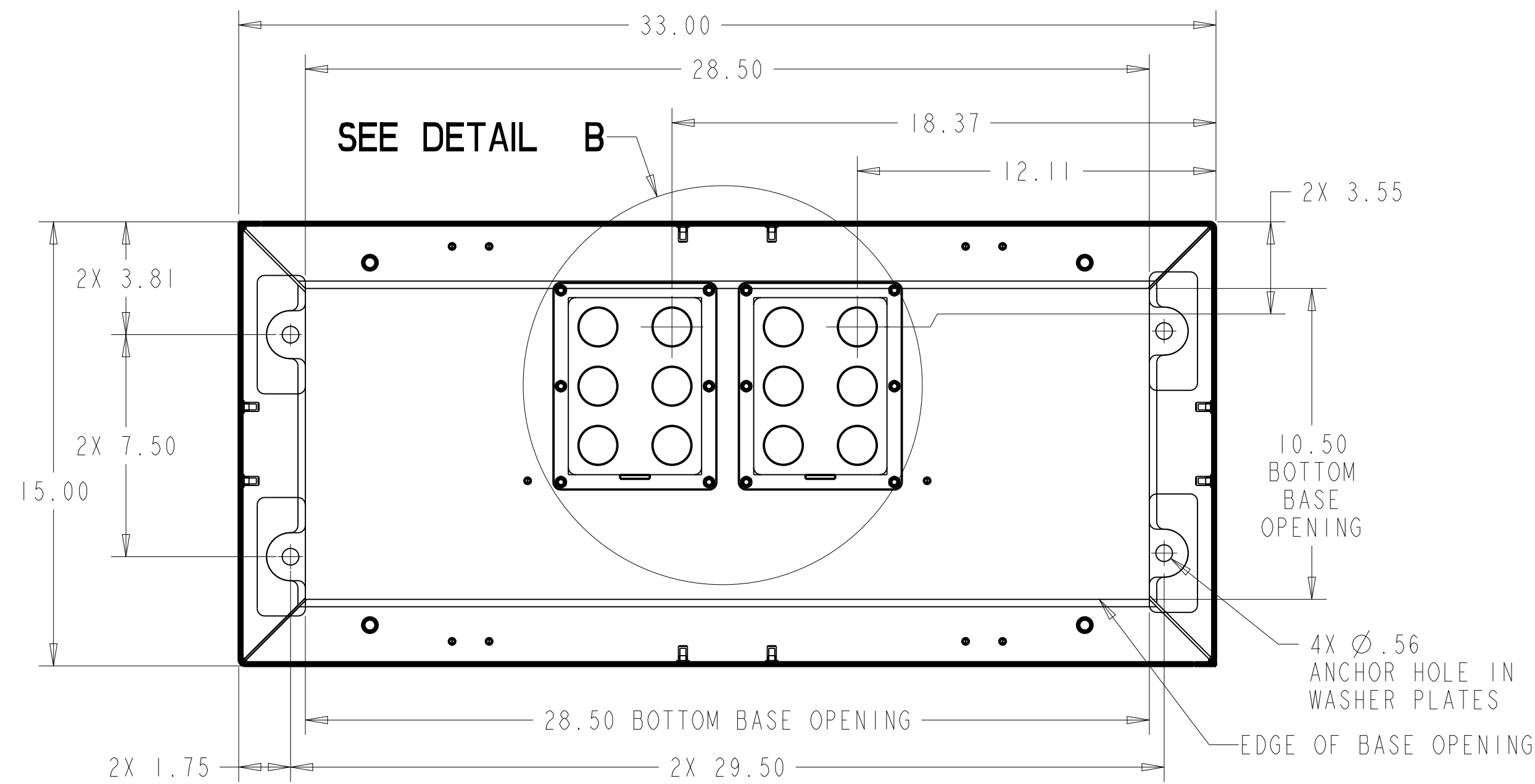
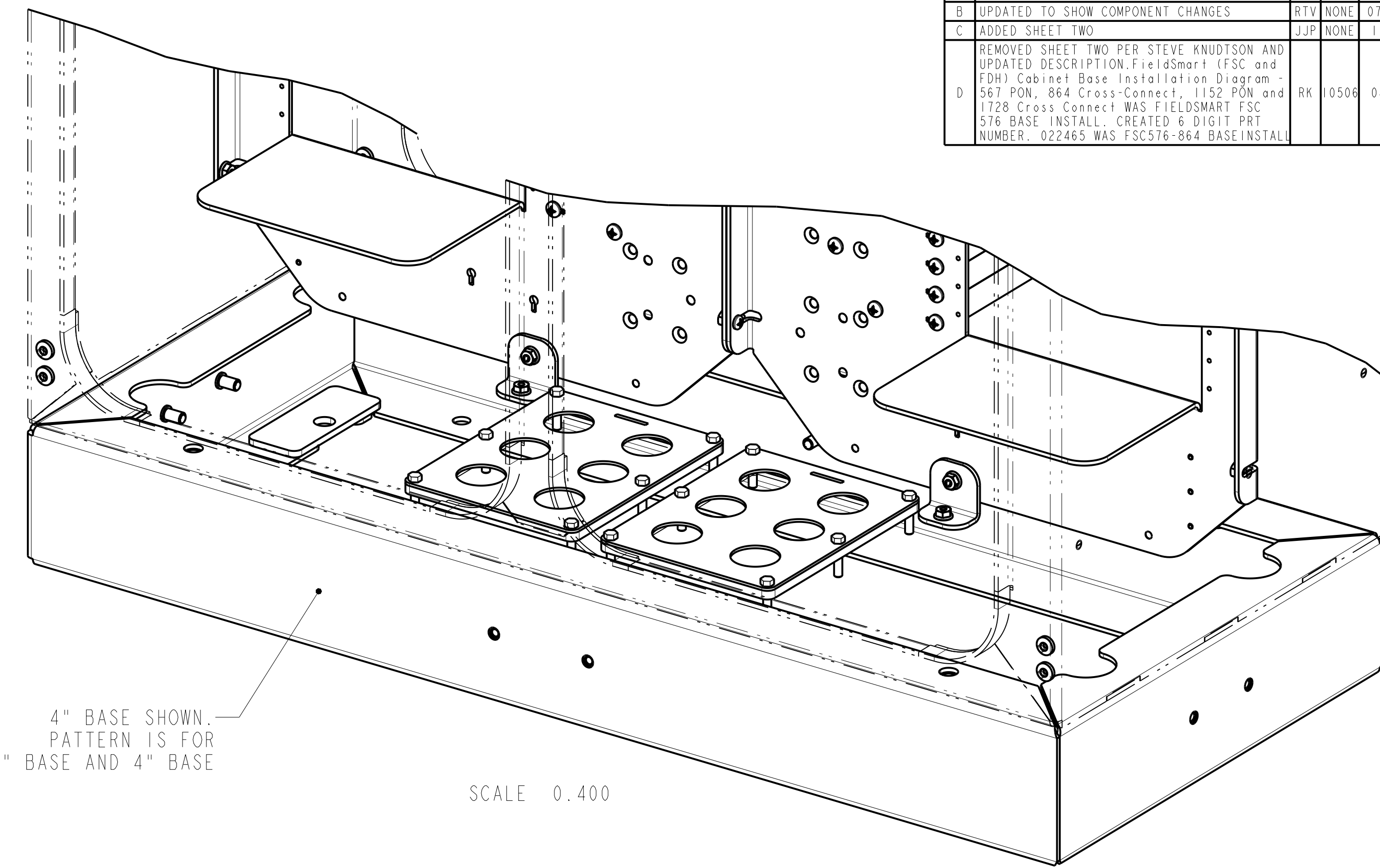


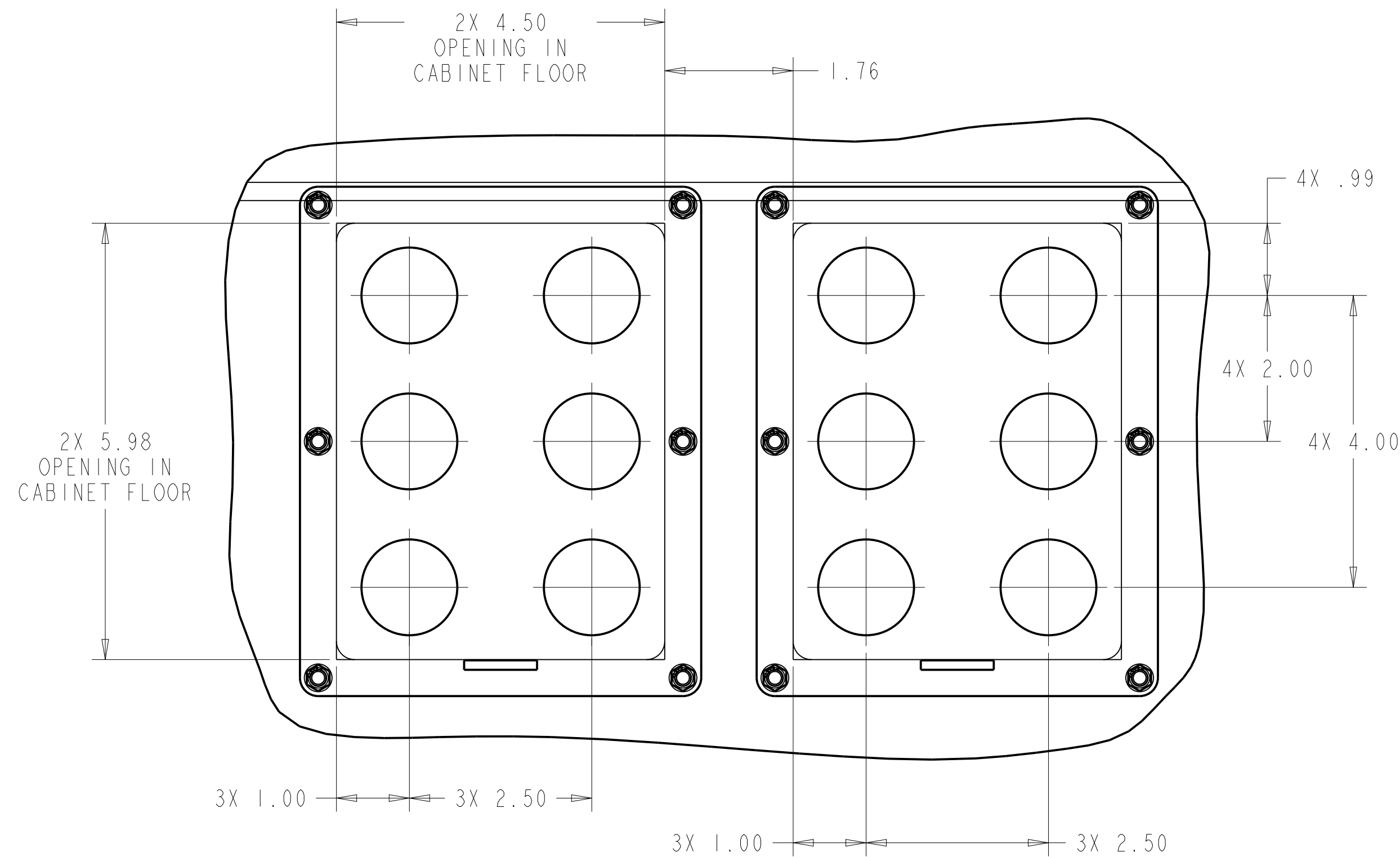
REV	DESCRIPTION OF CHANGE	BY	ECO	REV DATE
A	ENGINEERING RELEASE	RTV	50032	24-MAR-08
B	UPDATED TO SHOW COMPONENT CHANGES	RTV	NONE	07-JUL-08
C	ADDED SHEET TWO	JJP	NONE	1/NOV/10
D	REMOVED SHEET TWO PER STEVE KNUDSON AND UPDATED DESCRIPTION. FieldSmart (FSC and FDH) Cabinet Base Installation Diagram - 567 PON, 864 Cross-Connect, 1152 PON and 1728 Cross Connect WAS FIELDSMART FSC 576 BASE INSTALL. CREATED 6 DIGIT PRT NUMBER. 022465 WAS FSC576-864 BASE INSTALL.	RK	10506	04/OCT/21



FRONT VIEW



SECTION A-A



DETAIL B

SCALE 0.675

UNLESS OTHERWISE SPECIFIED

ASME Y14.5M - 1994

X.X +/- 0.1
 X.XX +/- 0.01
 X.XXX +/- 0.005

MACH ANG ± 0°30'
 FORMED ANG ± 2°
 CHAMFER ± .5

BREAK EDGES:
 R.01 OR 45° ± .01 MAX
 INTERNAL MACH R.02 MAX

DIMENSIONS ARE IN INCHES
 DO NOT SCALE

COPYRIGHT CLEARFIELD INC.
 THIS DOCUMENT IS THE
 PROPERTY OF CLEARFIELD INC.
 ITS USE IS AUTHORIZED ONLY FOR
 REFERENCE TO A REQUEST FOR
 QUOTATION OR THE PERFORMANCE
 OF WORK FOR CLEARFIELD INC. ALL
 QUESTIONS SHOULD BE DIRECTED TO
 CLEARFIELD INC. ENGINEERING DEPT

MATERIAL: PER COMP.

FINISH: PER COMP.

DESIGNED BY: RK 04-OCT-21

DRAWN BY: RK 04-OCT-21

APPROVED BY: [Signature]

CLEARFIELD

7050 WINNETKA AVE N STE 100
BROOKLYN PARK, MN 55428
(800) 423-2337 (763) 476-6666
www.seeclearfield.com

FieldSmart (FSC and FDH) Cabinet Base Installation Diagram - 567 PON, 864 Cross-Connect, 1152 PON and 1728 Cross Connect

SIZE: D 022465

PART NUMBER: 022465

SCALE: 0.250 SHT 1 OF 1

REV. D

APPROVED

By thade at 9:45 am, Oct 15, 2021