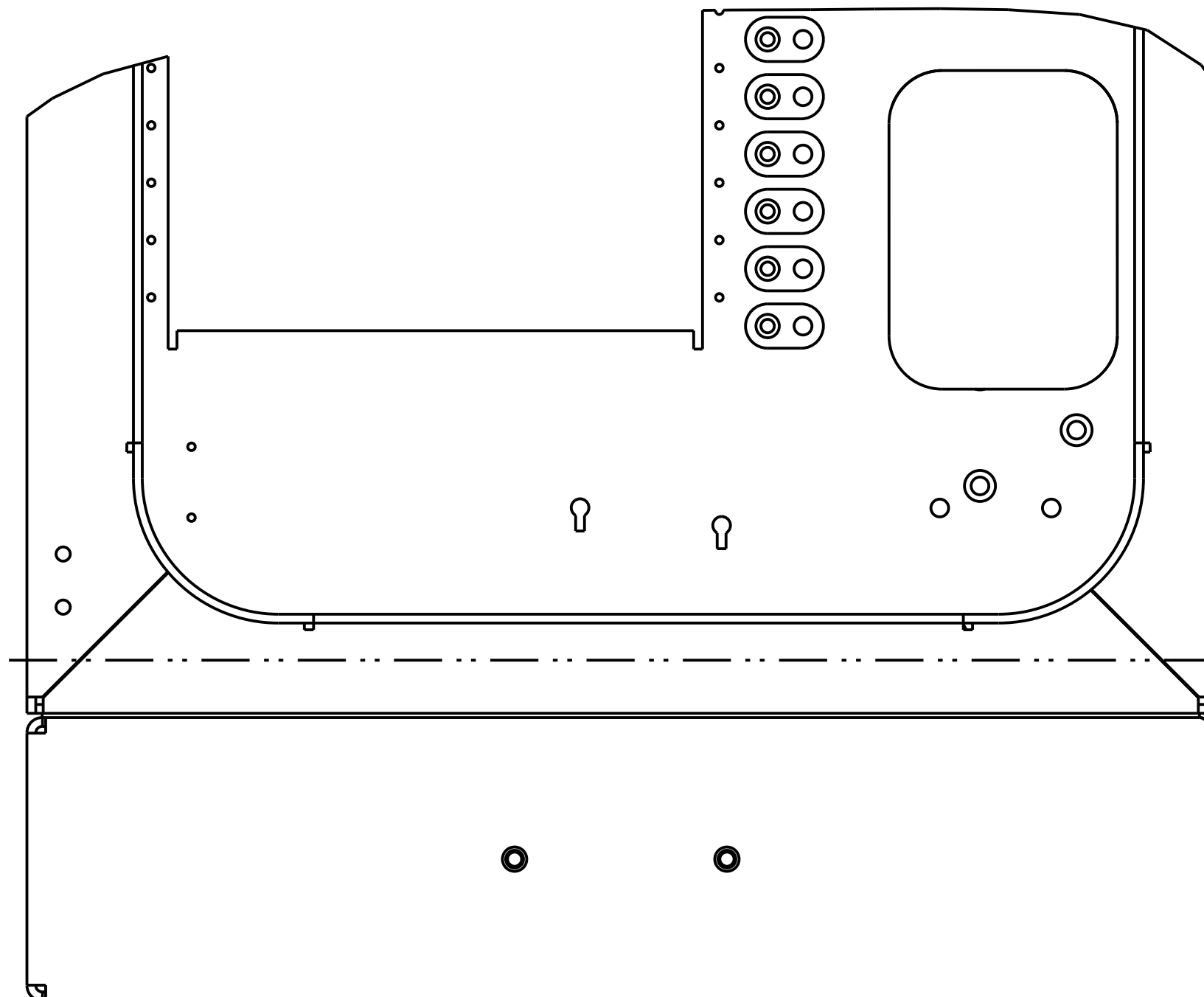
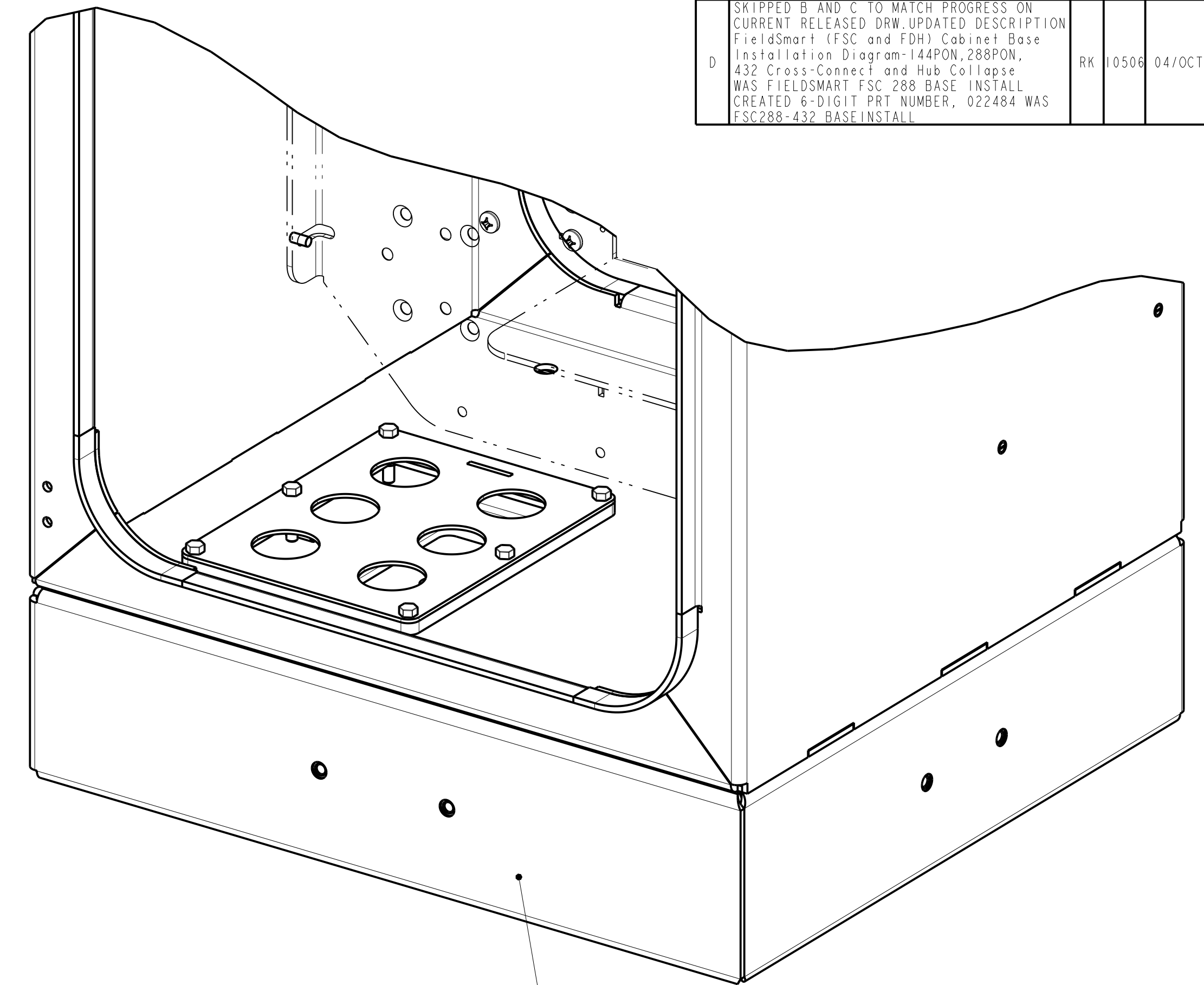


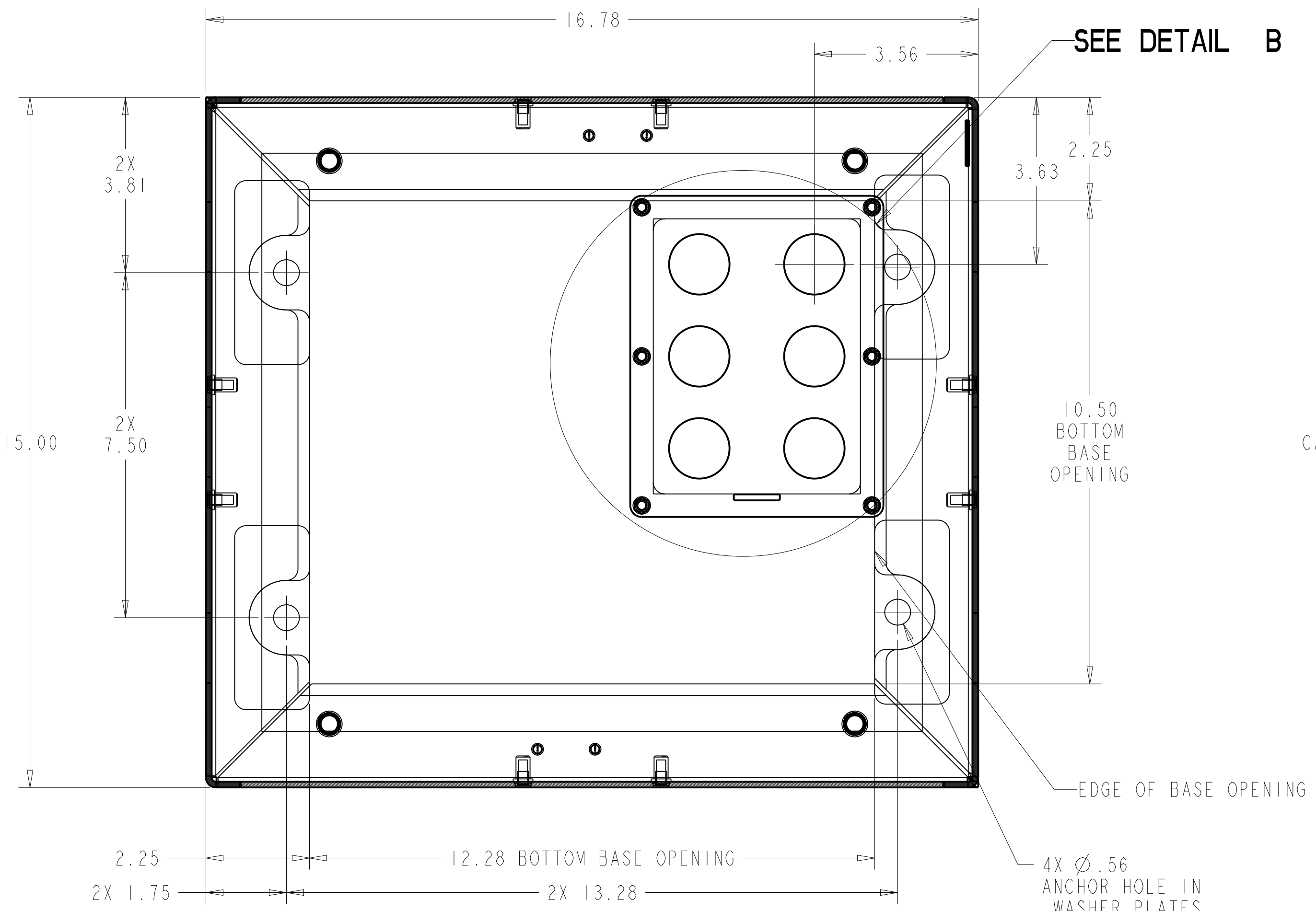
REV	DESCRIPTION OF CHANGE	BY	ECO	REV DATE
A	ENGINEERING RELEASE: CREATED FROM FS_FSC288BASEINSTALL	JJP	NONE	8/NOV/10
	SKIPPED B AND C TO MATCH PROGRESS ON CURRENT RELEASED DRW. UPDATED DESCRIPTION FieldSmart (FSC and FDH) Cabinet Base Installation Diagram-144PON, 288PON, 432 Cross-Connect and Hub Collapse WAS FIELDSMART FSC 288 BASE INSTALL CREATED 6-DIGIT PRT NUMBER, 022484 WAS FSC288-432 BASEINSTALL	RK	10506	04/OCT/21



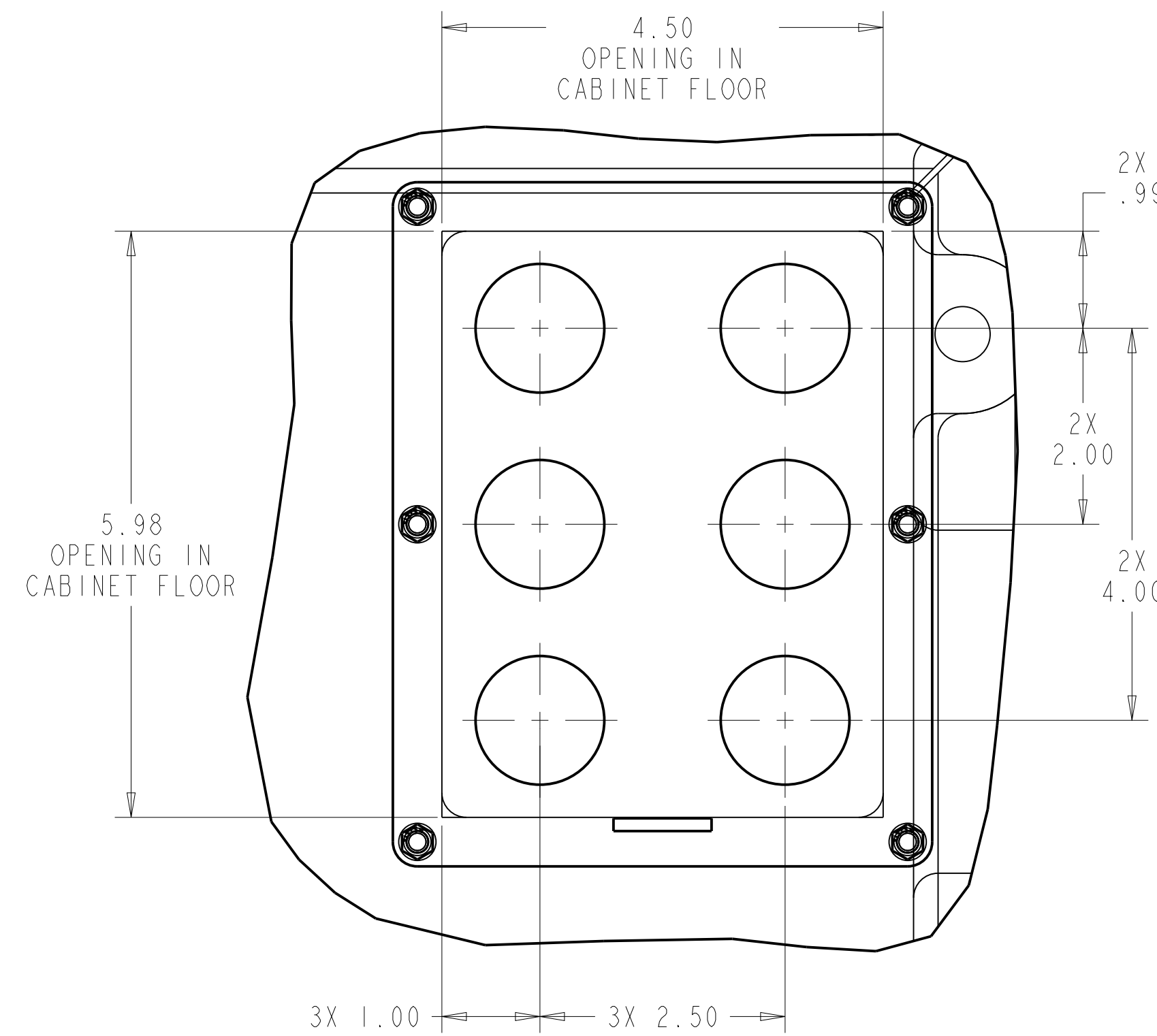
FRONT VIEW



4" BASE SHOWN. PATTERN IS FOR 12" BASE AND 4" BASE



SECTION A-A



DETAIL B  
SCALE 0.750

UNLESS OTHERWISE SPECIFIED  
 ASME Y14.5M - 1994  
 COPYRIGHT CLEARFIELD INC. THIS DOCUMENT IS THE PROPERTY OF CLEARFIELD INC. ITS USE IS AUTHORIZED ONLY FOR REFERENCE TO A REQUEST FOR QUOTATION OR THE PERFORMANCE OF WORK FOR CLEARFIELD INC. ALL QUESTIONS SHOULD BE DIRECTED TO CLEARFIELD INC. ENGINEERING DEPT.  
 X.X +/- 0.1  
 X.XX +/- 0.01  
 X.XXX +/- 0.005  
 MACH ANG ± 0°30'  
 FORMED ANG ± 2°  
 CHAMFER ± 3°  
 BREAK EDGES:  
 R.01 OR 45° ± .01 MAX  
 INTERNAL MACH R.02 MAX  
 DIMENSIONS ARE IN INCHES  
 DO NOT SCALE

MATERIAL: PER COMP.  
 FINISH: PER COMP.  
 DESIGNED BY: RK 8/OCT/21  
 DRAWN BY: RK 8/OCT/21  
 APPROVED BY: **APPROVED**  
 By thade at 9:42 am, Oct 15, 2021

**CLEARFIELD**  
 7050 WINNETKA AVE N STE 100  
 BROOKLYN PARK, MN 55428  
 (609) 427-2937 (763) 476-6866  
 www.seeclearfield.com

FieldSmart (FSC and FDH) Cabinet Base  
 Installation Diagram-144PON,  
 288PON, 432 Cross-Connect and Hub Collapse

SIZE: DRAWING NO. D 022484  
 SCALE: 1.000 SHT 1 OF 2

PART NUMBER: 022484  
 REV. D

