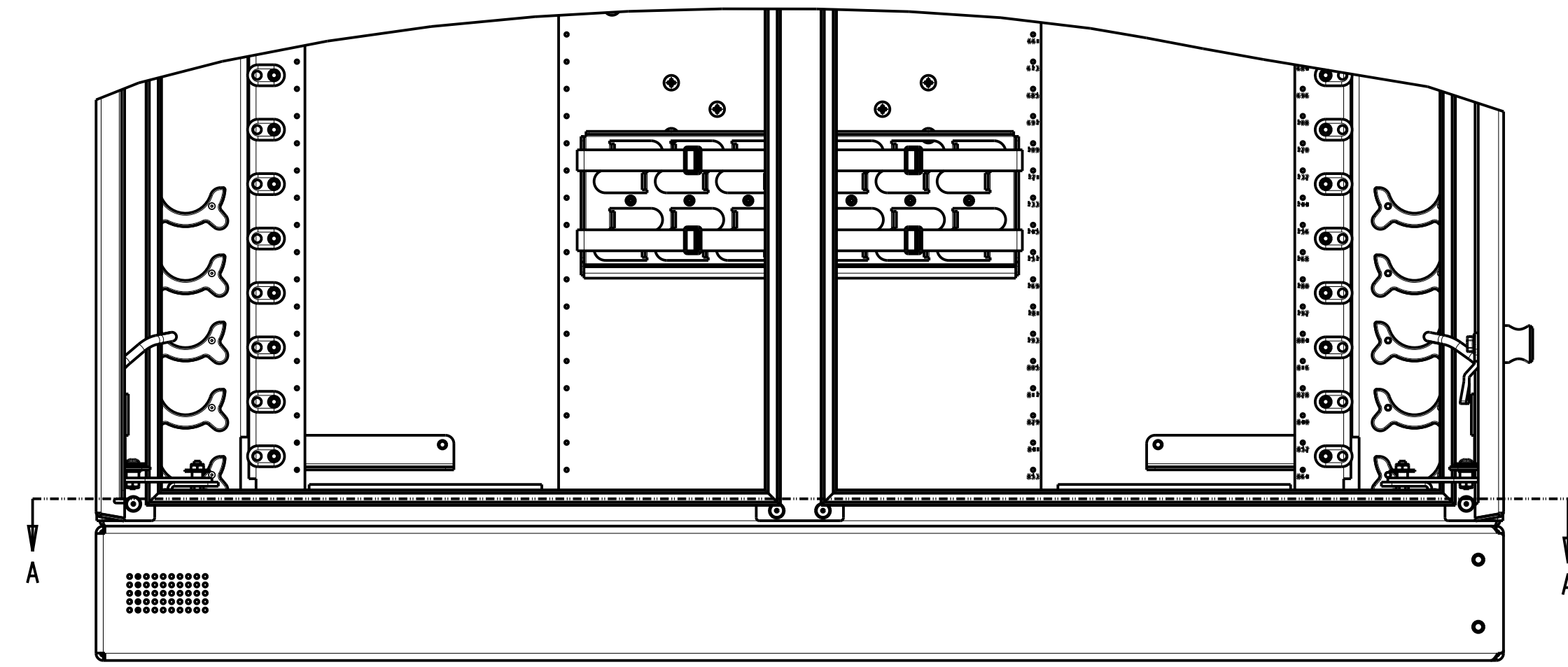
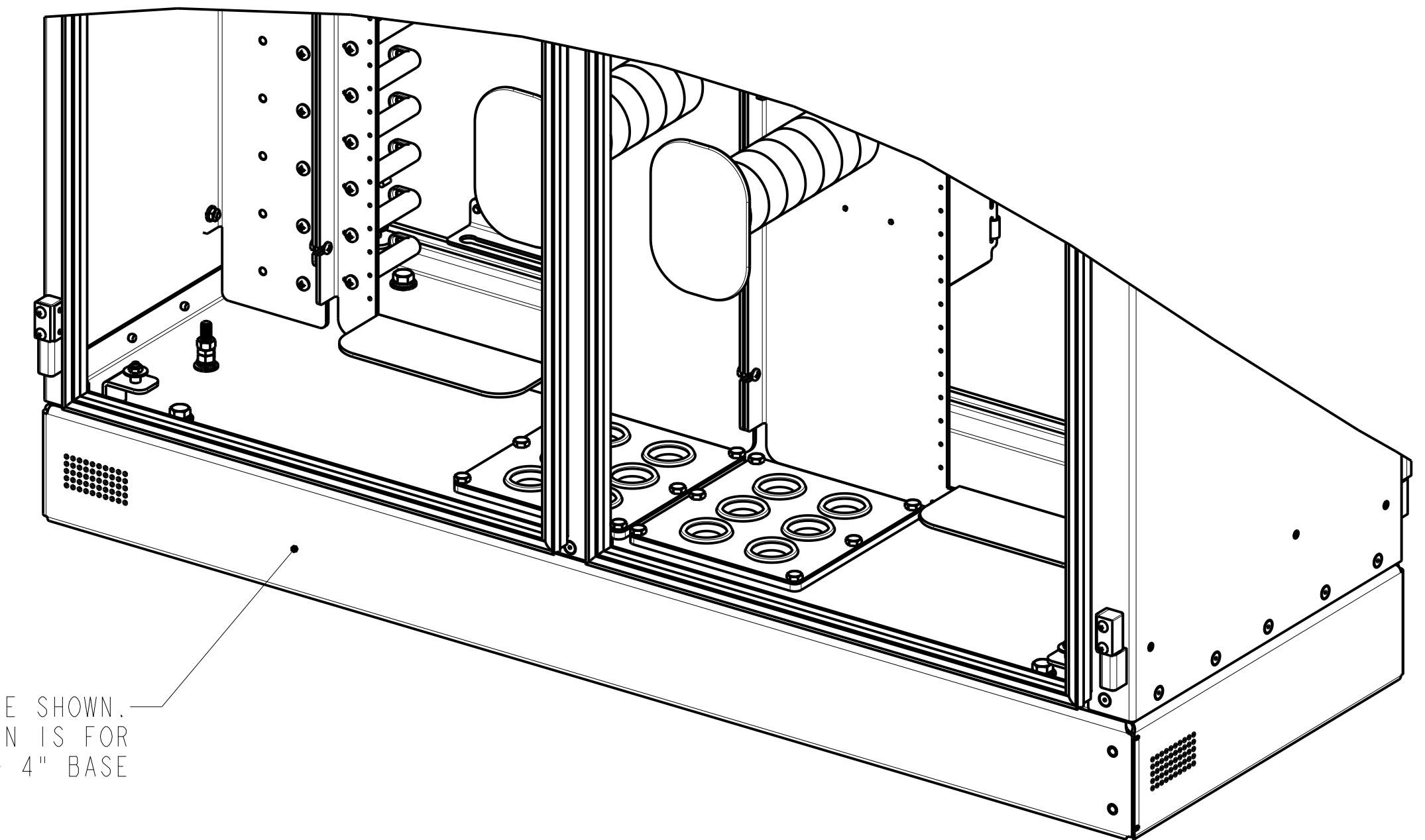


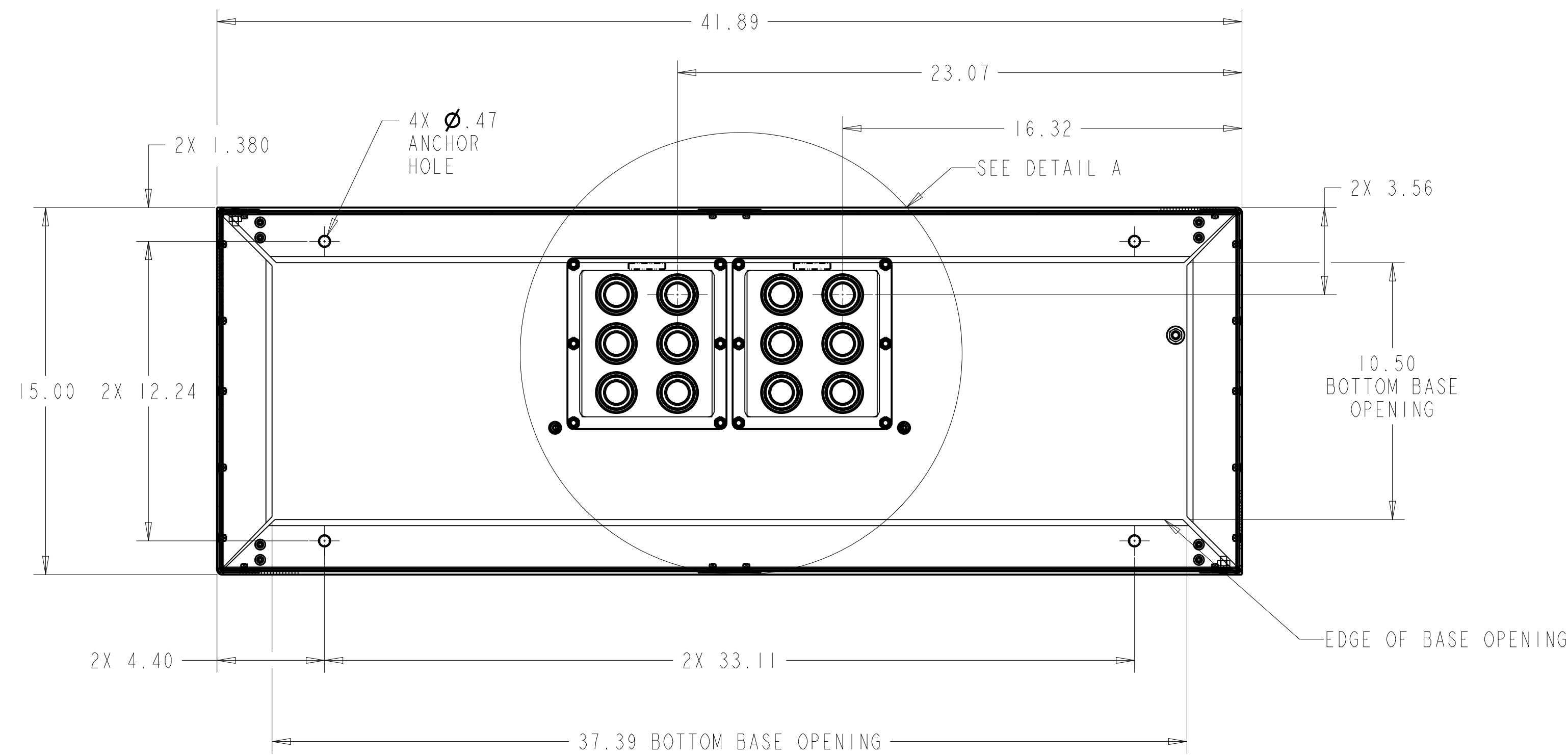
REV	DESCRIPTION OF CHANGE	BY	ECO	REV DATE
A	INITIAL PRODUCTION RELEASE	RK	10506	14SEP21
B	UPDATED DESCRIPTION: FIELDSMART (FDH) CABINET BASE INSTALLATION DIAGRAM - 864 PORT PON WAS 864 FDH BASE INSTALL	RK	10506	01OCT21



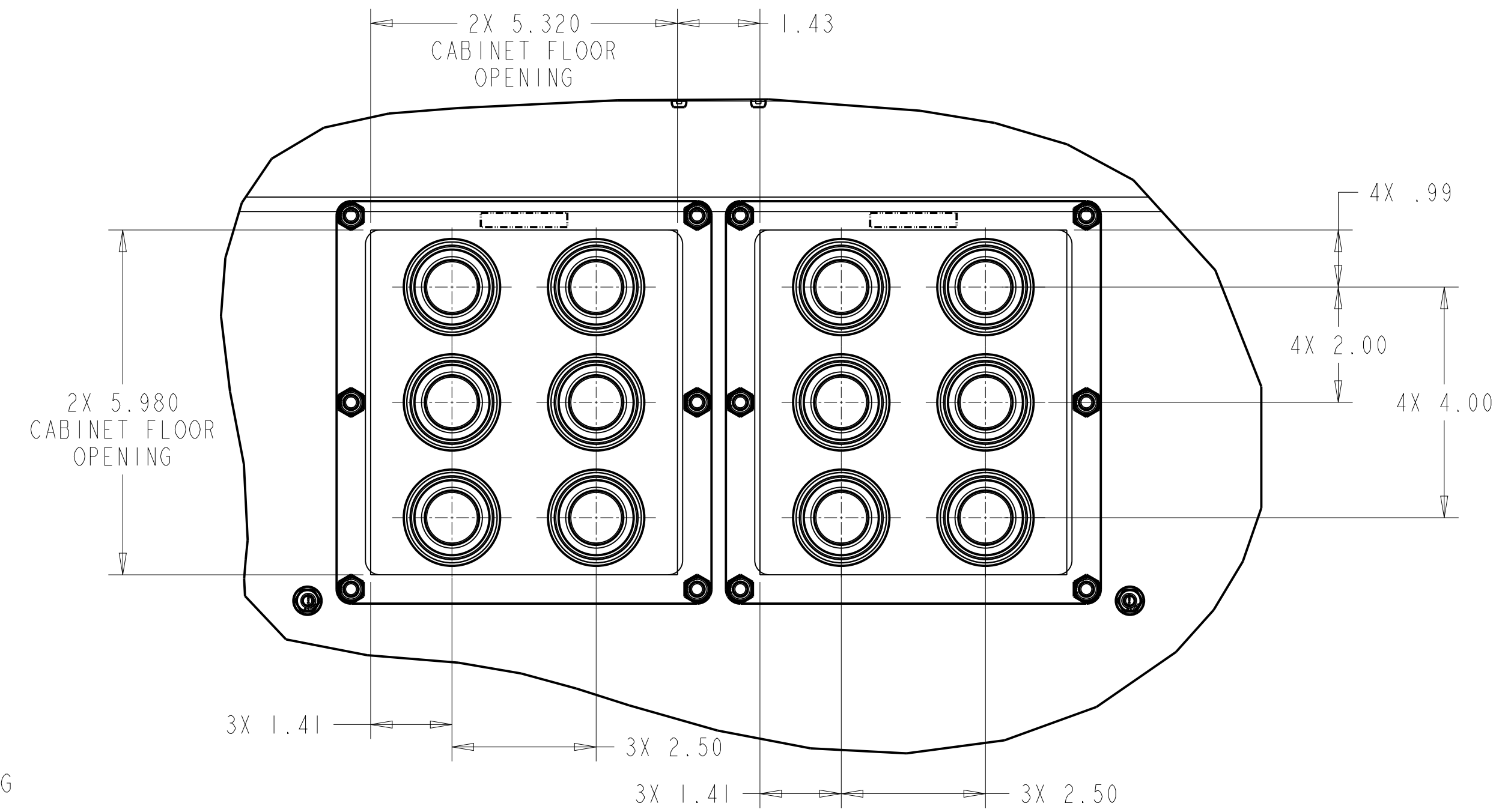
FRONT VIEW



4" BASE SHOWN. PATTERN IS FOR 12" BASE AND 4" BASE



SECTION A-A



DETAIL A  
SCALE 0.500

UNLESS OTHERWISE SPECIFIED  
ASME Y14.5M - 1994  
COPYRIGHT CLEARFIELD INC. THIS DOCUMENT IS THE PROPERTY OF CLEARFIELD INC. ITS USE IS AUTHORIZED ONLY FOR RESPONDING TO A REQUEST FOR QUOTATION OR THE PERFORMANCE OF WORK FOR CLEARFIELD INC. ALL QUESTIONS SHOULD BE DIRECTED TO CLEARFIELD INC., ENGINEERING DEPT.

XX +/- 0.1  
X.XX +/- 0.01  
X.XXX +/- 0.001  
MACH ANG ± 0°30'  
FORMED ANG ± 2°  
CHAMFER ± .2"  
BREAK EDGES:  
R.01 OR 45° ± .01 MAX  
INTERNAL MACH R.02 MAX  
DIMENSIONS ARE IN INCHES  
DO NOT SCALE DRAWING

MATERIAL: PER COMP.  
FINISH: PER COMP.  
DESIGNED BY: RK 13-SEP-21  
DRAWN BY: RK 14-SEP-21  
APPROVED  
By tbadie at 11:25 am, Oct 08, 2021

**CLEARFIELD**  
7050 WINNETKA AVE N STE 100  
BROOKLYN PARK, MN 55428  
(800) 422-2937 (763) 478-6866  
www.seeclearfield.com

FIELDSMART (FDH) CABINET BASE  
INSTALLATION DIAGRAM - 864 PORT PON

SIZE: D 022464  
SCALE: 1.000  
SHT 1 OF 1

PART NUMBER: TOP-LEVEL-864-MKT  
REV: B