

# YOURx™

## YOURx-Terminal - Patch Only



### Application

From the splitter in an active cabinet or fiber distribution hub, distribution cables can be transported into a consolidated splice point that serves multiple YOURx-Terminals. The pathway from the splice point to the terminal access point is established with either FieldShield® Microduct and FieldShield Pushable Fiber or FieldShield FLATdrop cable, which has been pre-terminated at the factory with customer specified lengths to meet their deployment application.

Once established, a patch only YOURx-Terminal is placed in the housing of choice (pedestal or vault), providing a distribution point for providing service to multiple customer types (MDU, SFH or Business Class Service).

### Description

The YOURx-Terminal provides up to sixteen pre-connectorized drop ports with a FieldShield pushable feeder cable or flat drop cable built to customer specified lengths. The YOURx-Terminal can be configured with a factory-terminated FieldShield Optical Cable, from two to sixteen ports, for the feeder configuration that can be pushed or pulled through FieldShield Microduct to a consolidated splice point in the serving area. Distribution ports are sealed with airtight, water tight caps on the inside of the base, until service turn-up is required.

### Features and Benefits

#### Integrity

- Compliant to Telcordia GR-487 and 3125
- Supports FieldShield pushable SC connectors for drop applications
- Supports pre-terminated FieldShield FLATdrop or FieldShield Pushable Fiber drop cable assemblies for individual drop applications
- 100% performance tested for insertion loss, return loss and final mechanical inspection

#### Protection

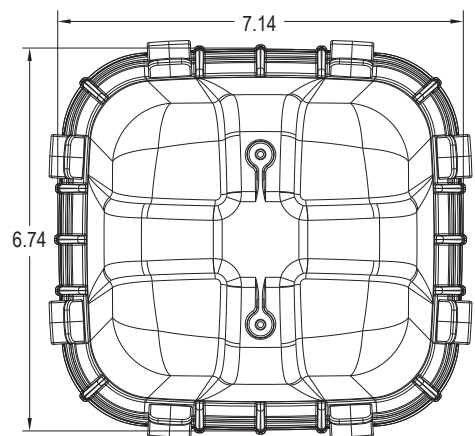
- Optimized for use with FieldShield Microduct and Pushable Fiber solutions
- Black UV resistant thermoplastic designed to resist corrosion
- Environmentally sealed terminal providing maximum reliability and durability in the harshest OSP environments
- FlexPort Connectors provide an air-tight and water-tight connection for incoming/outgoing cables
- FieldShield FLATdrop connectors provide bend-limiting, strain relief protection and watertight seal for flat drop and FieldShield Cable

#### Access

- Accepts up to sixteen 10 mm distribution ports (for 10 mm FieldShield Microduct or FieldShield FLATdrop)
- Accepts up to two 14 mm feeder ports (for 14 mm FieldShield Microduct)
- Accepts up to two 10 mm feeder ports (for 10 mm FieldShield Microduct or FieldShield FLATdrop)
- Compact sealed design allows placement above or below grade

#### Investment

- Flexibility in configuration provides maximum scalability across multiple services classes
- Field assembled FieldShield pushable drop cables reduce installation time and labor costs by removing expensive splicing labor from the YOURx-Terminal to customer premise
- Compatible with all Clearfield's FieldShield drop cable options, which reduces installation time and labor costs by removing expensive splicing labor from the YOURx-Terminal to customer premise
- Pre-terminated factory polished feeder and drop cables improve network operability across multiple network access points



# YOURx™

## YOURx-Terminal - Patch Only



### Technical Specifications

YOURx-Terminal - Patch Only	
Dimensions	7.14"W x 6.74" D x 7.31" H
Spool Dimensions and Cable Capacity	22" Diameter x 17" Tall; will hold up to 2,000 feet of FieldShield Pushable Cable, Flat Drop Toneable or Non-Toneable Cable
Material	Black UV resistant Thermoplastic
Mounting Options <i>(Brackets ordered separately. See accessories for options)</i>	Below Grade: flower pot or vault Above Grade: cabinet, pedestal, pole mount or aerial/strand
Internal Slack Storage	None - inside terminal. Slack fiber storage is done at customer location
External Slack Storage	Virtually unlimited - depends on vault size or mounting application
Feeder Ports	Two 14 mm FlexPorts and two 10 mm FlexPorts
Distribution Ports	16, 10 mm FlexPorts
Connector Types	SC/APC, SC/UPC, LC/APC, LC/UPC

### Configured Part Numbers

F S T X - \_\_\_\_\_ - Z \_\_\_\_\_ - Z Z Z \_\_\_\_\_

1

2

3

4

5

**1** Select Distribution Port Count

- 04 = 4 ports
- 06 = 6 ports
- 08 = 8 ports
- 12 = 12 ports
- 16 = 16 ports

**3** Select Feeder Mode and Type

- 1 = SM (Non-ribbon)
- 2 = SM (Ribbon)

**5** Select Feeder Cable Length

- XXXXF = Length in Feet
- XXXXM = Length in Meters

**2** Select Distribution Connector

- A = SC/UPC
- C = SC/APC
- F = LC/UPC
- H = LC/APC

**4** Select Feeder Jacket Construction

- T = Flat Drop (Non-toneable)
- U = Flat Drop (Toneable)
- W = FieldShield

*For individual drops using FLATdrop with the FlexConnector, you'll need to order them separately and make reference to that product.*

