

FieldSmart® Fiber Crossover Distribution System (FxDS) Tower Access Panel

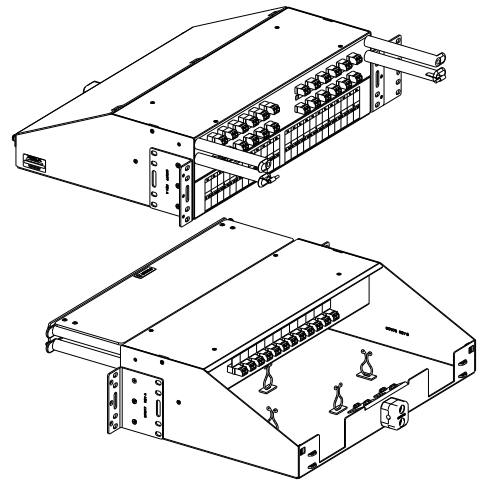


Application

The FieldSmart FxDS Tower Access Panel provides a 24 port interconnect or cross-connect with non-intrusive test access ports for live service monitoring, troubleshooting and maintenance in a small 3RU footprint.

Description

The FieldSmart FxDS Tower Access Panel is a low maintenance fiber distribution panel for use in a 19" or 23" frame. Designed to provide the user with superior fiber access and craft-friendly, radius protected, fiber management for routing and deploying fiber jumpers. The Tower Access Panel provides 24 ports of radius and physical fiber protection to connect the Base Band Unit (BBU) to the radio antennas, while providing up to 50 feet of slack storage.



Features and Benefits

Integrity

- Compliant to Telcordia GR-449, GR-20 and GR-409
- Terminations are designed and tested to Telcordia GR-326
- Optical components use Telcordia GR 1221/1209 compliant devices

Protection

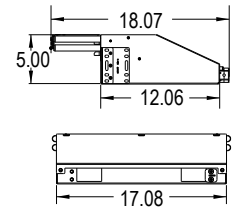
- Removable front protection
- Individual radius fingers provide organized and intuitively managed fiber jumpers and minimize cable pile up
- Cable clamps and bridge lance tie downs protect against twisting and pistoning at the assembly breakout point
- Multiple clamp sizes to secure various cable types

Access

- Tool-less removable rear plate provides access to store up to 50 feet of cable in the slack storage tray
- Easily identifiable splitters with red adapters provide non-intrusive test ports

Investment

- Custom labeling for High and Low Band configurations
- Reversible 19" and 23" mounting brackets for flexibility



Technical Specifications

FieldSmart Tower Access Panel	
Dimensions	17.08" W x 5.00" H x 12.06" D
Front Protection	4.75" radius fingers
Rack Unit Size	Just under 3RU (5.00")
Mounting Widths	19" and 23"
Port Count	24 Port - 12 duplex LC/UPC
Connector Type	LC/UPC
Splitter Type	1 x 2 (50/50 split ratio)
Slack Storage Capacity	Up to 50 feet
Cable Clamp Sizes	5/16" and 7/16"
Material	Aluminum and steel with almond powder coating

Pre-Configured Part Numbers

Part Number	Description
19216-42	FxDS Tower Access Panel, 19" and 23" mounting, 3RU (5.25"), front loaded with 12 blue duplex LC/UPC circuits and 12 red duplex LC/UPC TAP circuits, rear loaded with 12 blue duplex LC/UPC input circuits with (24) 1 x 2 splitters (50/50 split ratio) for test ports