

StreetSmart

Small Count Fiber Hand-Off Box



Application

The StreetSmart Small Count Fiber Hand-Off Box serves as a network demarcation point between the backhaul provider and the network operator or as a demarc point for small count MDUs. Designed with a hinged plate and 216 locking mechanism, access is secured between craft responsibilities. The craft-friendly GR-771 box can be mounted aerially, on a pole or on a wall. The compact design makes it ideally suited for inside a monopole.

Description

The StreetSmart Small Count Fiber Hand-Off Box can be configured in either 6 or 12 terminations in both SC or LC connections. The StreetSmart Small Count Hand-Off Box comes in two configurations. The plug-and-play option utilizes an MPO or HMFOC (hardened multifiber optical connector) connector or the patch only which comes with factory installed cable in length up to 3000'. Designed with a tethered removable door, lay in grommet, angled adapter for easy cleaning and testing, no special tool requirements makes the box extremely craft-friendly.

Features and Benefits

Integrity

- Designed, tested & certified to GR-771
- Designed to comply with NEMA 4
- Terminations designed, tested and certified to GR-326
- MPO terminations designed, tested and certified to Telcordia GR-1435

Protection

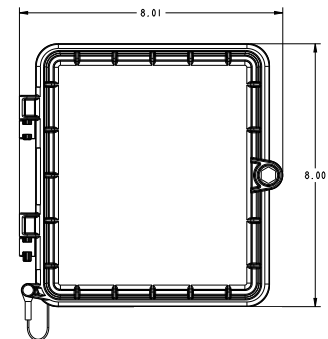
- 216 locking (can wrench)
- Lay in grommet with cable retention clamp
- Industrial grade door gasket

Access

- Secure plate between backhaul provider and mobile operator
- Removeable tethered door
- Angled adapter for easy testing and cleaning

Investment

- Cable management guides
- Lay in grommet for both backhaul and network provider
- Cable retention clamps



StreetSmart

Small Count Fiber Hand-Off Box



Technical Specifications

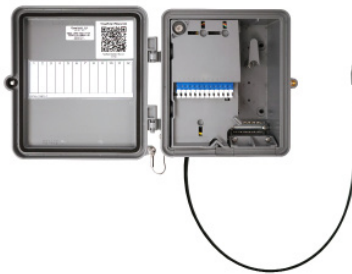
StreetSmart Small Count Fiber Hand-Off Box	
Dimensions	8" H x 8" W x 3" D
Box Option	Plug-and-play or patch only
Connector Types	SC/APC, SC/UPC, LC/UPC, LC/APC, MPO or HMFOC
Cable Entrance	Single entrance for both provider and network
Cable Grommet	FLATdrop or 4.8m
Labeling	Designation label on door
Mounting Options	Pole, Wall or Aerial

Configurations

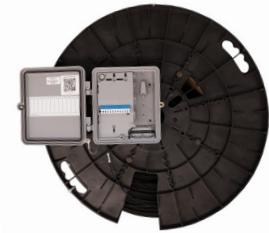
Plug-and-Play - MPO to LC/UPC



Plug-and-Play - HMFOC to LC/UPC



Patch Only - LC/UPC to Stub



Configured Part Numbers

W 2 W S - - - - Z Z Z XXXXM or XXXXF

1 2 3 4 5 6

1 Select Port Count

06 = 6 ports
12 = 12 ports

2 Select Distribution Connector

A = SC/UPC (Only 6 Port)
C = SC/APC (Only 6 Port)
F = LC/UPC (Only 6 or 12 Port)
H = LC/APC (Only 6 or 12 Port)

3 Select Feeder Connector

5 = MPO (Male)
6 = MPO (Female – Only Available in LC/UPC)
7 = HMFOC (12 Fiber Only)
Z = No Connector (Patch Only)

4 Select Feeder Mode and Type

1 = Singlemode (Non-ribbon)

5 Select Pigtail Assembly

T = FLAT drop (Non-Toneable and HMFOC Assemblies)
U = FLATdrop (Toneable)
Z = No Pigtail Assembly

6 Select Fiber Assembly Length

Patch Only Options: XXXXF or XXXXM
HMFOC Options are Limited to:
0001F = 1 Foot
0050F = 50 Feet
0100F = 100 Feet
0200F = 200 Feet

Pre-Configured Part Numbers - Mounting Brackets

Part Number	Description
W2W-AER-01	Bracket Aerial
W2WS-PMM-01	Bracket Metal Pole, Includes Two Hose Clamps, Supports up to 17.5 Diameter Pole
W2WS-PMW-01	Bracket Wood Pole, Wall Includes Lag Screws