

StreetSmart[®]

Ready Connect Terminal



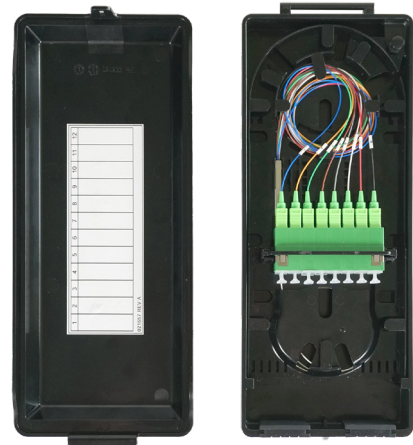
Application

The Ready Connect Terminal (RCT) is a splice terminal designed for pedestal applications. Optimized for above-ground, distributed TAP and distributed split architectures and enabled with multiple FBT and PLC splitter options, this craft-friendly terminal delivers up to eight drops when mid-spanning is required. Drop cables can be pre-terminated or spliced.

Description

The Ready Connect Terminal is a small, breathable terminal that allows for mid-spanning, splicing, and terminations with optical components. Delivering Clearfield's commitment to craft-friendly solutions, the terminal features a removable splice tray for easy access when technicians are splicing up to 24 loose tube splices, in addition to a modular, removable adapter plate for terminal applications that provides easy access for adapter cleaning.

Meeting the demand for small, economical solutions, the small form factor allows for mounting in Clearfield's extremely compact CraftSmart[®] FiberFirst 6-inch Pedestal, offering homeowners a discreet, aesthetically pleasing option for FTTH deployments.



Features and Benefits

Integrity

- Designed for configuration flexibility - splicing, pigtails or splitters
- Designed for mid-span applications

Protection

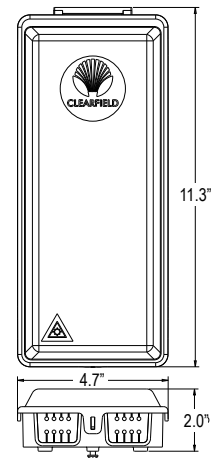
- Manufactured with TRISTAR Polycarbonate plastic for impact and flame retardant
- Lay in grommet for environmental protection

Access

- Removable cover for easy access
- Removable splice tray allows easy fiber routing
- Removable adapter plate for easy cleaning and scoping
- Removable splice tray for mid-spanning and drop terminations

Investment

- Providing a small economical solution for the provider
- Designed in flexibility for use as a terminal or splice enclosure



Technical Specifications

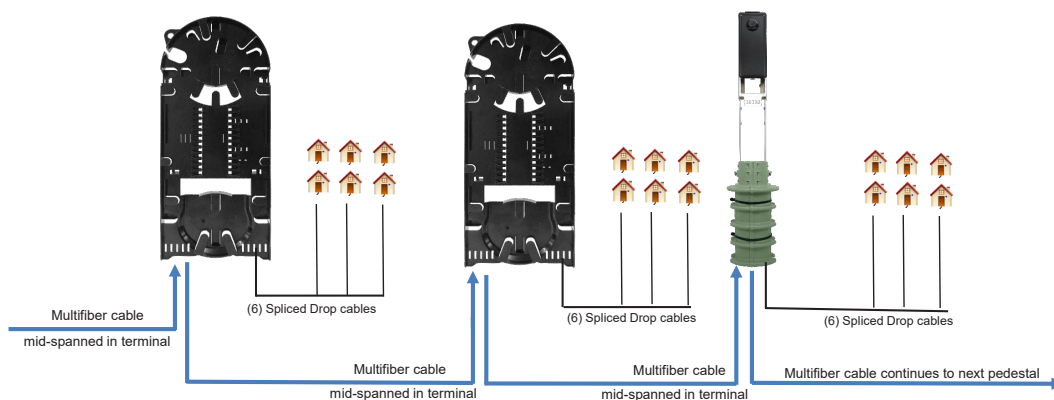
StreetSmart Ready Connect Terminal	
Dimensions	11.30"(H) x 4.70"(W) x 2.00"(D) (287.02mm x 119.38mm x 50.8mm)
Terminal Options	Mid-spanning, plug-and-play, splicing, optical components enabled
Number of Splitters	Supports up to (3) FBT splitters and up to (3) PLC splitters
Material	Manufactured with TRISTAR Polycarbonate plastic for impact and flame retardant
Output Connector	SC/APC, SC/UPC
Number of Drops or Distribution Ports	Supports up to 8 drops
Cable Entrance	Lay in grommet with internal strain relief
Labeling	Designation label on door
Mounting Options	Above ground only in a pedestal or on an interior wall

Mid-Span - Splice Only (No Adapter or Pigtails)

Description

Ready Connect Terminal, empty, includes splice chip, NO fibers, NO adapters, 100% splice

Ready Connect Terminal (RCT)-Mid-Span with **splice** drops. NO pigtails or NO adapters



Pre-Configured Part Numbers - RCT

Part Number	Description
RCT-00Z-ZZZ-ZZZ	Ready Connect Terminal, empty, includes splice chip, NO fibers, NO adapters, 100% splice

Pre-Configured Part Numbers - Empty Pedestals*

Part Number	Description
CFP-0630-EMPTY-BACK	30 inch tall, 6" diameter pedestal with installed backplane for slack storage for mounting RCT box
CFP-0620-EMPTY-BACK	20 inch tall, 6" diameter pedestal with installed backplane for slack storage for mounting RCT box

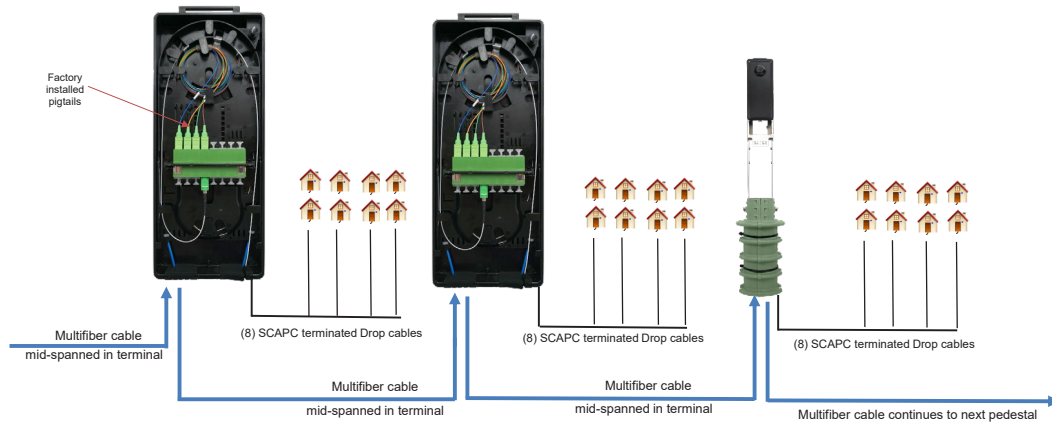
* Does not include box

Mid-Span - With Pigtailed and Adapter (NO Splitter)

Description

Ready Connect Terminal, includes installed pigtailed and adapter pack

Ready Connect Terminal (RCT)-Mid-Span with terminated drops.



Configured Part Numbers

RCT - - Z - Z Z Z

1 2 3 4

1 Select Drop Connector Type
 02 = 2 Drops
 04 = 4 Drops
 06 = 6 Drops
 08 = 8 Drops

2 Select Drop Connector Type
 C = SC/APC

3 Select Pigtailed
 Y = Yes

4 Select Number of Pigtailed
 2 = 2 Pigtailed
 4 = 4 Pigtailed
 6 = 6 Pigtailed
 8 = 8 Pigtailed

Example: RCT-08C-ZY8-ZZZ = Ready Connect Terminal loaded with SC/APC adapter pack and 8 SC/APC pigtailed

Pre-Configured Part Numbers - Empty Pedestals*

Part Number	Description
CFP-0630-EMPTY-BACK	30 inch tall, 6" diameter pedestal with installed backplane for slack storage for mounting RCT box
CFP-0620-EMPTY-BACK	20 inch tall, 6" diameter pedestal with installed backplane for slack storage for mounting RCT box

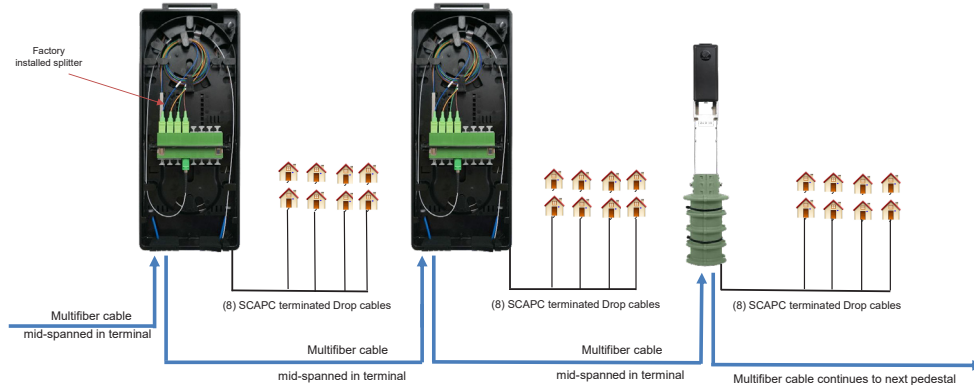
* Does not include box

Mid-Span - Splitter with Adapter Pack

Description

Ready Connect Terminal, includes installed splitter and adapter pack

Ready Connect Terminal (RCT)-Mid-Span with Splitter and terminated drops



Configured Part Numbers

RCT - - Z Z - Z Z

1 2 3 4

1 Select Number of Drops

02 = 2 Drops
04 = 4 Drops
08 = 8 Drops

2 Select Splitter Drop Connector Type

C = SC/APC
Z = Bare-Splicing Drops

4 Select Optical Splitters

E = 1x2 Split Ratio
5 = 1x8 Split Ratio
8 = 1x4 Split Ratio

3 Select Splitter Input Connector Type

C = SC/APC
Z = Bare-Splicing Drops

Example: RCT-08C-ZZZ-5ZZ = Ready Connect Terminal with 1x8 splitter with SC/APC drops and splice input.

Pre-Configured Part Numbers - Empty Pedestals*

Part Number	Description
CFP-0630-EMPTY-BACK	30 inch tall, 6" diameter pedestal with installed backplane for slack storage for mounting RCT box
CFP-0620-EMPTY-BACK	20 inch tall, 6" diameter pedestal with installed backplane for slack storage for mounting RCT box

* Does not include box