

StreetSmart™ Fiber Hand-Off Box



Application

The StreetSmart Fiber Hand-Off Box serves as the demarcation point between the backhaul provider and the mobile network operator. Designed with a hinged plate and 216 locking mechanism, a secure separation is created between the wireless and wireline provider. The Fiber Hand-Off Box provides a single test access point to an angled adapter plate, designed to offer ease of cleaning and maintenance.

Description

The StreetSmart Fiber Hand-Off Box comes in plug-and-play and patch only configurations. The plug-and-play configuration utilizes a MPO adapter for easy installation. The patch only configuration is a factory-installed cable ranging in different cable construction and different lengths. With factory-installed cable management rods, removable door and no special tool requirement, the StreetSmart Fiber Hand-Off Box is extremely craft-friendly.

The Fiber Hand-Off Box supports up to two incoming cables and eight distribution cables using a split grommet design. Each distribution port is labeled for easy circuit identification.

Features and Benefits

Integrity

- Designed, tested and certified to Telcordia GR-771
- Terminations designed, tested and certified to Telcordia GR-326
- MPO terminations designed, tested and certified to Telcordia GR-1435

Protection

- Sealcon fitting with multiple media grommets
- Gasket cover for protection from the elements
- 216 locking feature (can wrench)

Access

- Secure plate between backhaul provider and mobile operator
- Removable tethered hinged door
- Pole, wall and aerial mounting

Investment

- Angled adapters for ease of cleaning
- Multiple cable management guides
- Two cable entry ports



Pre-terminated



MPO Assembly

Technical Specifications

StreetSmart Fiber Hand-Off Box	
Dimensions	13" H x 8.0" W x 3.0" D
Box Options	Pre-Terminated Cable or MPO Fiber Assemblies
Connector Types	LC/APC, LC/UPC, SC/APC, SC/UPC or MPO
Cable Entrance	Two entry ports
Cables Exits	Eight flat drop with lay in design
Labeling	Designation label
Mounting Options	Pole, Wall and Aerial

Configured Part Numbers

Mounting Options

Part Number	Description
W2W-AER-02	Bracket Aerial Strand
W2W-PMM-01	Bracket Metal Pole Includes Two Hose Clamps
W2W-PMW-01	Bracket Wood Pole Includes Lag Screws
W2W-WMB-01	Bracket Wall Mount/Monopole (No Screws)

Pre-Configured Part Numbers

W 2 W - 1 2 3 4 5 - Z Z Z XXXM or XXXF

1 Select Port Count

06 = 6 ports 24 = 24 ports
 12 = 12 ports 36 = 36 ports (LC Only)
 18 = 18 ports 48 = 48 ports (LC Only)

3 Select Feeder Connector

5 = MPO
 Z = No Connector

5 Select Jacket Construction

A = Indoor IFC Riser T = FLATdrop (Non-Toneable)
 B = OSP Riser U = FLATdrop (Toneable)
 C = Indoor Plenum IFC W = FieldShield
 E = OSP Non-rated Z = No Pigtail Assembly

2 Select Distribution Connector

A = SC/UPC
 C = SC/APC
 F = LC/UPC
 H = LC/APC

4 Select Feeder Mode and Type

1 = Singlemode (Non-ribbon)
 2 = Singlemode (Ribbon)

StreetSmart™ Fiber Hand-Off Box

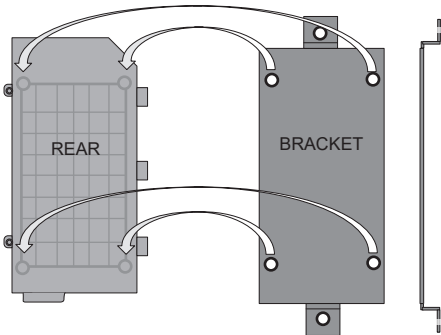


Aerial

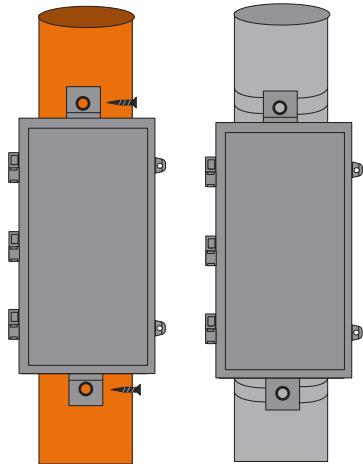


Strand Mount Bracket

Wall



Pole



WALL OR WOODEN
POLE MOUNT

METAL POLE
MOUNT

Pole or Wall Bracket

