

# SmartRoute Wall Box



## Application

The patent-pending SmartRoute Wall Box is designed to fast-track and simplify fiber installations when landing up to 12 fibers in any environment. Clearfield's SmartRoute Wall Box combines cable, spooling technology and MPO connectorization in a single box or a stand-alone wall plate. This allows for maximum flexibility and efficient use of available space. The compact design can be pre-configured to terminate up to 12 fibers. This SmartRoute is an ideal solution for use in MDUs, SFUs, cell towers and business class services.

## Description

The SmartRoute Wall Box contains one internal spool that can hold up to 200 feet of 3mm, 12-fiber plenum micro-cable or 12-fiber FieldShield Cable. The box can provide up to 12 connections on the front of the spool with an MPO or pigtail breakouts on the back side of the spool.

## Features and Benefits

### Integrity

- Terminations are designed and tested to Telcordia GR-326
- Clearfield FiberDeep Guarantee: 0.2 dB insertion loss or less, exceeding industry standards
- Supports all industry standard singlemode and multimode connectors
- 100% performance tested for insertion loss, return loss and final mechanical inspect
- Box NEMA 4X, UL and F1 Weatherability Compliance

### Protection

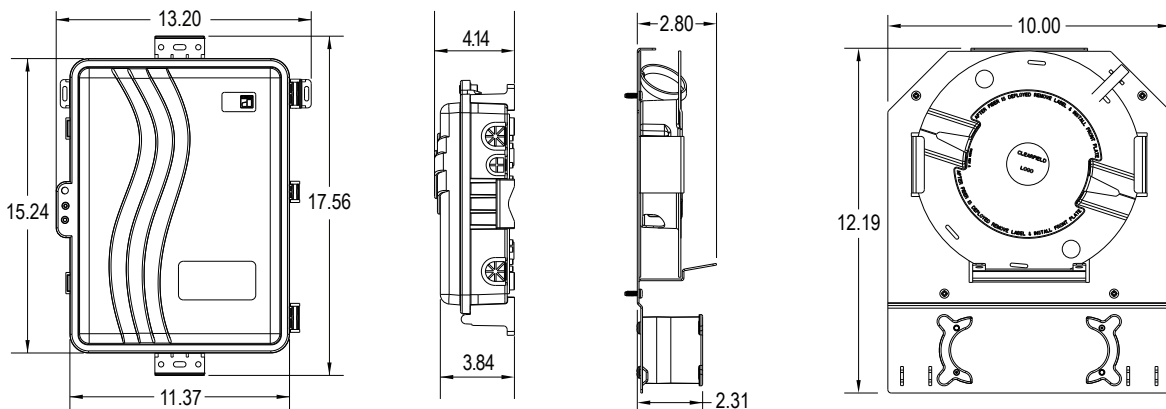
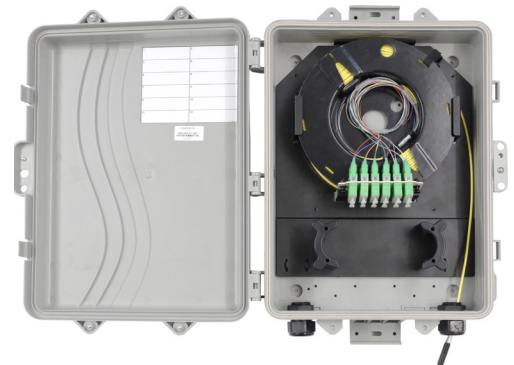
- Craft-friendly SmartRoute spool technology allows the installer to pullout the exact amount of cable required, and leaving the remaining slack safely stored on the spool
- Box includes security screw with padlock option, along with a gasket seal

### Access

- Wall mount
- Slack storage for drop cables
- Two bottom 3/4" entry/exit ports are supported with ship along Sealcon connectors

### Investment

- Pre-connectorized options eliminate labor and speed network construction
- Scalable to 12 ports of fiber
- One box for a variety of application uses



### Technical Specifications

SmartRoute Wall Box	
Dimensions	Box: Inside: 14.1" H x 10" W x 5.25" D, Plate: 12.1" H x 10" W x 2.8" D
Port Density	6 and 12 ports = SC, 6 ports = LC Duplex
Connector Types	SC/UPC, SC/APC, MPO, LC/UPC, LC/APC
Cable Types	Indoor Plenum Rated IFC/FieldShield
Maximum Internal Spool Cable Length	200 feet
Material (Box)	High impact and flame retardant PVC3 / High column strength and low coefficient PBT
Mounting Options	Wall Mount

### Configured Part Numbers

S R - - - - - - - - -

1 2 3 4 5 6 7 8 9

**1 Select Wall Box/Plate**  
W = Wall Box with Plate  
P = Plate Only

**2 Select Front Connector Type**  
A = SC/UPC  
C = SC/APC  
F = LC/UPC  
H = LC/APC

**3 Select Cable Type**  
1 = SM stranded non-ribbon, plenum rated  
3 = MM stranded non-ribbon, plenum rated

**4 Select Cable Construction**  
Y = IFC Plenum  
W = FieldShield

**5 Select Number of Fibers**  
1 = 12 Fibers  
3 = 6 Fibers

**6 Select Rear Connector Type**  
A = SC/UPC  
C = SC/APC  
F = LC/UPC  
H = LC/APC  
N = MPO Male Pushable  
P = MPO Female Pushable  
Z = None

**7 Select Rear Breakout**  
B = 1 meter  
C = ½ meter  
Z = None

**8 Select Rear Upjacketing**  
A = 900 µm  
B = 2mm  
Z = None

**9 Select Length**  
1 = 25 feet  
2 = 50 feet  
3 = 75 feet  
4 = 100 feet  
5 = 125 feet  
6 = 150 feet  
7 = 175 feet  
8 = 200 feet