

# FieldSmart® Fiber Scalability Center (FSC)

## Cross-Connect Cabinets: 432, 864 and 1,728 Ports

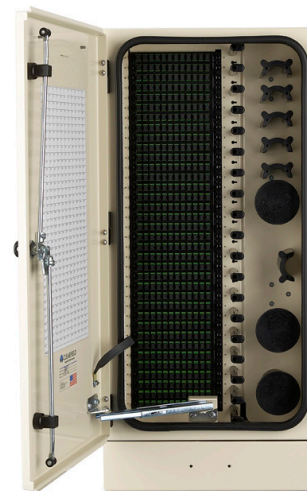


### Application

The FieldSmart FSC Cross-Connect Cabinet is the complete solution for managing up to 1,728 fibers in most any feeder/distribution ratio for an outside plant FTTH application. This solution provides an interconnect environment from the feeder network and the distribution field in a FTTH network.

### Description

With the Clearview® Cassette as its foundation, the FieldSmart FSC Cross-Connect Cabinet uses the same components as the FieldSmart Fiber Crossover Distribution System (FxDS) deployed in the central office. This enables service providers to standardize on a single building block, allowing them to stock a single fiber management component for either environment. Technicians also have the ease of working with a single fiber architecture for central office or outside plant deployment - saving training and installation time. Using Clearview, FieldSmart changes the rules of fiber management. Optimal access is ensured to all ports and superior fiber protection is integrated within the Clearview Cassette. Through the incremental design of the Clearview Cassette, user capacity can be scaled from as few as 12 ports to the maximum configuration of the cabinet, allowing the service provider to align the investment in capital equipment to the turn-up of revenue-generating circuits. Further, labor and other field costs are minimized through this craft-friendly layout.



### Features and Benefits

#### Integrity

- Terminations are designed and tested to Telcordia GR-326
- Clearfield® FiberDeep® Guarantee: 0.2 dB insertion loss or less, exceeding industry standards
- Designed to comply to Telcordia GR-20, GR-487 and GR-3125
- Constructed with 0.125 (3.175 mm) aluminum
- Powder coated for additional protection
- 300 series stainless steel fasteners used on all cabinets

#### Protection

- 12-fiber Clearview Cassette protects fiber from environmental and human factors
- Rugged cable fittings protect the OSP cable breakouts from twisting and pistoning
- Patch only buffer tubes are fully protected with ruggedized bend-limiting tubing
- Snake skin sleeving provides additional buffer tube slack storage protection and manageability for patch and splice (Clearfield's in-cassette splicing solution) configurations

#### Access

- Clearview Cassette allows for quick visual troubleshooting without opening cassette
- Front access to pre-terminated assemblies with Clearview removable adapter plate
- Easy two captive fasteners for quick removal of individual cassettes for trouble shooting, splicing or replacing
- Front and rear access doors
- Top exit available in 432 Cross-Connect Cabinets

#### Investment

- Fiber is deployed in increments of 12, providing the users the ability to scale from 12 ports to full capacity, aligning capital investment with network layout or subscriber revenue
- Express ports allow for extensions or parallel networks through the cabinet
- Patch and splice configurations eliminate costs associated with jacketed IFC cabling, hand-holes and splice cases

# FieldSmart® Fiber Scalability Center (FSC)

## Cross-Connect Cabinets: 432, 864 and 1,728 Ports

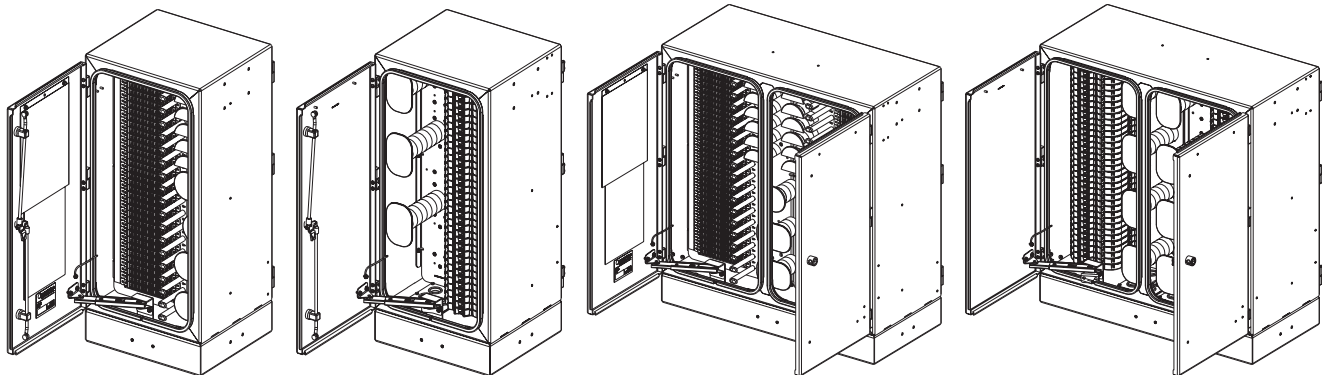


### Technical Specifications

| FieldSmart FSC Cross-Connect Cabinets                    | 432 Port   | 864 Port  | 1,728 Port   |
|--|--|---|--|
| Dimensions ( <i>without riser</i> )                      | 32" H x 16.78" W x 16.9" D (812.80 mm x 426.21 mm x 429.26 mm)               | 32" H x 33" W x 16.9" D (812.80 mm x 838.20 mm x 429.26 mm) | 64" H x 33" W x 16.9" D (1625.60 mm x 838.20 mm x 429.26 mm) |
| Weight   | 54 lbs (24.49 kg)  | 86 lbs (39.01 kg)   | 172 lbs (78.02 kg)   |
| Port Density   | 432  | 864   | 1,728  |
| Cables Entrances   | 6  | 12  | 12   |
| Mounting Options (Hoist kits included with each cabinet) | Vault mount; pole mount; pad mount   | Vault mount; pad mount                                      | Vault mount; pad mount                                       |
| Standard Riser Base                                      | 4"; 6 lbs (101.60 mm; 2.72 kg)   | 4"; 8 lbs (101.60 mm; 3.63 kg)                              | 4"; 8 lbs (101.60 mm; 3.63 kg)                               |
| Optional Riser Base                                      | 12"; 12 lbs (304.80 mm; 5.44 kg)   | 12"; 20 lbs (304.80 mm; 9.07 kg)                            | 12"; 20 lbs (304.80 mm; 9.07 kg)                             |
| Cassette Types Supported                                 | Clearview® Blue  |   |  |
| Connector Types  | SC/UPC, SC/APC, LC/UPC, LC/APC   |   |  |
| Cable Types  | Indoor/Outdoor, Outdoor (Riser/Non-Rated), Outdoor Armored (Riser/Non-Rated) |   |  |
| Splice Capacity  | 12 splices in each Clearview Cassette  |   |  |
| Material   | 0.125 (3.175 mm) aluminum with almond powder coating                         |   |  |
| Recommended Jumper Length                                | 2 meters   | 2 meters  | 4 meters   |

### Accessories

- Risers: 4" (101.60 mm) and 12" (304.80 mm)
- Exterior Ground Box — Available with 12" Riser Only
- FieldSmart Mid-Span/Feed-Through Plate Kit
- Pole Mount Kit
- Optional top exit available on 432 cross-connect



432 Port - Front

432 Port - Rear

864 Port - Front

864 Port - Rear

# FieldSmart® Fiber Scalability Center (FSC)

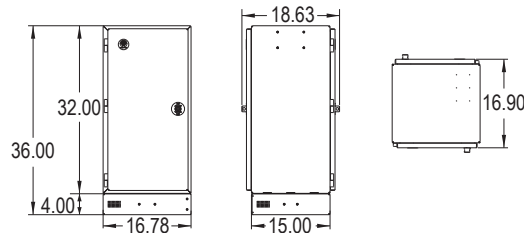
## Cross-Connect Cabinets: 432, 864 and 1,728 Ports



### Configured Part Numbers

#### 432 Port Cabinet

| R  | Z   |   |  |   |  |  |  |   |   |  |  |  |  |  | XXXM or XXXF* |
|--|---|---|--|---|--|--|--|---|---|--|--|--|--|--|---------------|
| 1  | 2   | 3   | 4  | 5   | 6  | 7  | 8  | 9   | A   | B  | C  | D  |  |  |               |
| <b>1 Select Cabinet Type</b><br>S = Patch only with 4" (101.60 mm) riser<br>T = Patch & splice with 4" (101.60 mm) riser<br>7 = Patch only with 12" (304.80 mm) riser<br>8 = Patch & splice with 12" (304.80 mm) riser | <b>2 Select Connector Style</b><br>A = SC/UPC<br>C = SC/APC<br>F = LC/UPC<br>H = LC/APC | <b>3 Select Mode / Type</b><br>1 = Singlemode - non-ribbon<br>2 = Singlemode - ribbon | <b>4 Select Cable Construction</b><br>B = OSP riser<br>E = OSP, non-rated<br>F = Patch and splice (loose tube)<br>M = OSP armored<br>Z = None or patch and splice ribbon | <b>5 Select Feeder Port Count</b><br>XXX = port count in increments of 12 | <b>6 Select # of 144 - Fiber Feeder Cables</b><br>0 = 0<br>1 = 1 | <b>7 Select # of 96 - Fiber Feeder Cables</b><br>0 = 0<br>1 = 1<br>2 = 2 | <b>8 Select # of 72 - Fiber Feeder Cables</b><br>0 = 0<br>1 = 1<br>2 = 2<br>3 = 3<br>4 = 4 | <b>9 Select Distribution Port Count</b><br>XXX = port count in increments of 12 | <b>A Select # of 144 - Fiber Distribution Cables</b><br>0 = 0<br>1 = 1<br>2 = 2 | <b>B Select # of 96 - Fiber Distribution Cables</b><br>0 = 0<br>1 = 1<br>2 = 2<br>3 = 3<br>4 = 4 | <b>C Select # of 72 - Fiber Distribution Cables</b><br>0 = 0<br>1 = 1<br>2 = 2<br>3 = 3<br>4 = 4 | <b>D Extras</b><br>B = Clearview Blue Cassettes<br>D = Top exit with Clearview Blue<br>F = Vented door with Clearview Blue<br>J = Vented door with top exit and Clearview Blue<br>M = Ground Box in riser and Clearview Blue<br>N = Ground Box in riser, vented door, and Clearview Blue | <b>XXXM or XXXF</b><br>XXXM = Length of pigtails in meters<br>XXXF = Length of pigtails in feet<br>*200 feet maximum |  |               |



### Vault Options

#### 432 Port Cabinet

| Part Number | Description   |
|-------------|---|
| V6A-CZP     | Vault, below grade Pencil, 24" W x 36" L x 24" D (609.60 mm x 914.40 mm x 609.60 mm), split HDPE lid, hex bolts, green, with cut out for FieldSmart Cabinets, straight wall, with bolt kit  |
| V7A-CZP     | Vault, below grade Pencil, 30" W x 48" L x 24" D (762.00 mm x 1219.20 mm x 609.60 mm), split HDPE lid, hex bolts, green, with cut out for FieldSmart cabinets, straight wall, with bolt kit |
| V7B-CZP     | Vault, below grade Pencil, 30" W x 48" L x 36" D (762.00 mm x 1219.20 mm x 914.40 mm), split HDPE lid, hex bolts, green, with cut out for FieldSmart cabinets, straight wall, with bolt kit |
| FMA-H3Z-SUB | Pole Mount Kit for FieldSmart cabinet   |

