

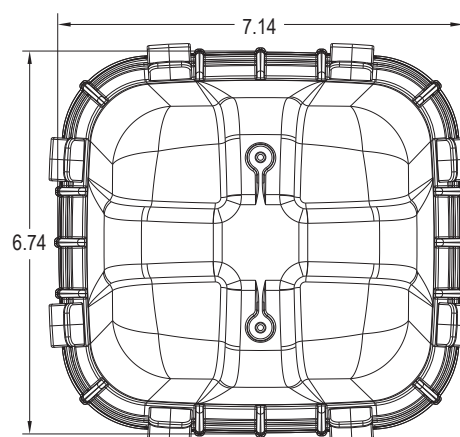
Overview

The YOURx-Terminal improves the customer application and craft-experience by providing an access terminal capable of 16 drops, two feeder ports for mid-span and daisy-chaining scenarios, along with a fully protected and restorable pathway from the YOURx-Terminal to the YOURx-TAP using the Clearfield® design methodology of a modular and flexible approach that scales across the application environment.

Utilizing the technology that couple ducts in a restoration or transitional scenario, the YOURx-Terminal provides up to 16 drops ports along with two feeder ports using the YOURx FlexPort that provides an air/water tight connection, which reduces overall costs by eliminating the need for expensive proprietary connectors. Ducts are simply brought to the YOURx-Terminal, trimmed to length and pushed into the YOURx FlexPort of the YOURx-Terminal completing the protected pathway. Fiber is now pulled or pushed from the customer premise to the “inside” of the YOURx-Terminal, where connector assembly is completed and mated to a removable FieldShield® FlexCartridge™ that has been configured to the customer’s application. Fiber is not exposed as it enters the flower pot, vault, or pedestal where the terminal is stored but rather is delivered directly to the terminal reducing risk of accidental damage to fiber. The craft-sensitive nature of properly assembling a hardened connector is eliminated. Re-entering the terminal simply involves removing the cover. The sealed ports entering the terminal are never compromised.

The increased port count to 16 allows for more distributed split options including 4, 8 and 16 way splitters (SC) housed and terminated into the FlexCartridge. Hot-swappability of the FlexCartridge allows for future reconfiguration or restoration of the FlexCartridge without having to replace entire terminal. Plug-and-play scenarios using FieldShield Pushable MPO Connectors allow for single connector connectivity up to 16 ports when configured with an MPO to 16 SC FlexCartridge. YOURx-Terminal is optimized for customer specified daisy-chaining applications utilizing optical components and/or MTP/MPO.

The YOURx-Terminal provides up to sixteen pre-connectorized drop ports with a FieldShield pushable feeder cable or flat drop cable built to customer specified lengths. The YOURx-Terminal can be configured with a factory-terminated FieldShield Optical Cable, from two to sixteen ports, for the feeder configuration that can be pushed or pulled through FieldShield Microduct to a consolidated splice point in the serving area. Distribution ports are sealed with airtight, water tight caps on the inside of the base, until service turn-up is required.



YOURx-Terminal Mounting Options

Below Grade

The YOURx-Terminal can be placed in a flower pot, pull box, small or large vault and is treated the same way you would treat a splice case. Because ducts are terminated directly into the YOURx-Terminal providing a water-tight, gas-tight seal, along with 100 lbs. of pullout force, the terminal, fully or partially loaded, can be placed directly into the housing of your choice providing the number of ducts and associated slack will fit. As all ducts are terminated into the terminal, it is recommended that duct slack that allows for removal of YOURx-Terminal into sufficient access and working position be applied. Whether that be directly over the access point or pulled into a conditioned environment like a splice trailer, the YOURx-Terminal adjusts to the customer’s craft practices. If a secured placement into this environment is desired (off the bottom of the closure and off of cables/ducts), the mounting options for the above grade pedestal mounted options can be applied. Access to the terminal is no different than a splice case in that the technician will pull the terminal out of the vault/flower pot and access the terminal per company practices. The cover of the terminal is held on with eight spring clips that can be disengaged with your fingers but provide the necessary compression force to fully seat the cover against the silicon seal on the base of the terminal when all eight clips are engaged.

Pedestal Mount / Pole Mount / Vault Mount

Two different mounting brackets provide the flexibility to mount the terminal into any pedestal, pole or vault, while providing quick and easy access to the FlexCartridge for adding/removing/troubleshooting service or adding additional ducts.

Strand Mount

The YOURx-Terminal can be strand mounted for aerial applications for plug-and-play applications utilizing a straight F1/F2 hub and spoke approach or for daisy-chaining applications with the use of splitters and MTP/MPO connectivity.

Drop Cable Options

FieldShield® FLATdrop - Clearfield® recognizes the fact that flat drop connectivity in the last mile is widely-used product, and is a good solution for both direct buried and aerial drop applications. Listening to our customers' requests, the FieldShield FLATdrop connector was developed and designed to fit into YOURx-TAP. FieldShield FLATdrop cable assemblies come pre-terminated from the factory and are available in multiple lengths. Cable assemblies are placed and brought to YOURx-TAP, where the connector is snapped into place on the bottom of the box, providing an air/water tight connection.

FieldShield D-ROP is the cable-in-conduit (CIC) solution and the name stands for "restorable one pass" drop. D-ROP is a fiber pre-placed in a 7 mm O.D. microduct that reduces the traditional FieldShield solution from a two-step process to a one-step process. Rather than establish the route path of the duct and then push the FieldShield pre-terminated drop to the customer as a second step, D-ROP combines these two functions. Distance limitations are no concern when using D-ROP as the pre-terminated fiber is already installed.

FieldShield FLEXdrop™ provides all the same characteristics as current 3 mm pushable/pullable FieldShield fiber, with increased flexibility and reduced jacket memory, providing better slack storage and routing while decreasing the risk of kinking. Cable can be routed, without protection of duct, into the inside premise through walls, stapled, and/or applied using local contractor accepted practices. FLEXdrop can be used with YOURx-TAP and deploy reels for connectivity to the terminal as well as for final connectivity inside the premise at the ONT or fiber jack/demarcation.

FieldShield Pushable Optical Cable is a durable and crush-resistant product that is suitable for most indoor or outdoor environments. Manufactured using PBT jacketing, pushable optical fiber offers flexibility as well as resistance to chemicals. While FieldShield Pushable Optical Fiber is typically used in conjunction with FieldShield Microduct solutions, it is strong enough to be stapled directly to walls and its bend-insensitive fiber is flexible enough to go around 90 degree corners.

Clearfield highly recommends a ducted solution when deploying FieldShield FLEXdrop, FieldShield StrongFiber and FieldShield Pushable Fiber.