

# FieldShield® SmarTerminal

## Patch and Splice



### Application

Whether distribution cables are passing through a serving area, fiber is being handed off via a mid-span and continuing on or current architecture is being upgraded to push fiber farther into the network with FTTH build outs, the SmarTerminal can accept the “hand-off” of fiber and distribute up to eight service drops. A route-path is either direct buried or aerially established to the subscriber with FieldShield Microduct. Then a pre-terminated FieldShield Pushable Drop Cable, terminated with a pushable connector on one end and industry standard connector on the other, is pushed or pulled from or to the SmarTerminal, mated and secured with a FieldShield Hardened Pushable Connector.

### Description

Similar to the Clearview® Cassette, a splice option exists if the user wishes to push or pull from or to the SmarTerminal. The FieldShield SmarTerminal can be configured as patch and splice with a one meter 12 or 24-fiber 250 μm ribbon breakout and accept up to 16, 40 mm individual splice sleeves.

### Features and Benefits

#### Integrity

- Compliant to Telcordia GR-3120
- Supports FieldShield pushable SC and dual LC connectors
- 100% performance tested for insertion loss, return loss and final mechanical inspection

#### Protection

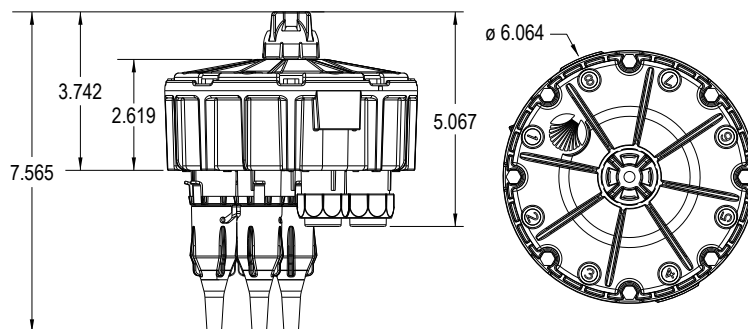
- Optimized for use with FieldShield microduct and pushable Fiber
- Black UV resistant thermoplastic designed to resist corrosion
- Environmentally sealed terminal providing maximum reliability and durability in the harshest OSP environments
- Hardened Pushable Connectors provide bend-limiting, strain relief protection for FieldShield pushable drop cables and feeder assemblies

#### Access

- Accepts up to 8 SC or 16 LC distribution ports
- Compact sealed design allows placement above or below grade
- Patch and splice configurations accept most Flat Drop and OSP cable types
- Optical component solutions maximize existing architectures and eliminate fiber exhaust scenarios

#### Investment

- Flexibility in configuration provides maximum scalability across multiple services classes
- Field-assembled FieldShield Pushable Drop Cables reduce installation time and labor costs by removing expensive splicing labor from the SmarTerminal to customer premise
- Pre-terminated factory polished feeder and drop cables improve network operability across multiple network access points



# FieldShield® SmarTerminal

## Patch and Splice



### Technical Specifications

FieldShield SmarTerminal Patch and Splice	
Dimensions	4.74" H x 6.06" Diameter
Material	Black Thermoplastic
Mounting Methods	Snap-on Toggle Head; Universal L-Bracket; Universal Z-Bracket
Mounting Options	Below Grade: flower pot or vault Above Grade: cabinet, pedestal, pole mount or aerial/strand mount
Internal Slack Storage	Up to one meter inside SmarTerminal
External Slack Storage	Virtually unlimited - depends on vault size or mounting application
Feeder Ports	1 port in the middle of SmarTerminal
Distribution Ports	SC: 2, 4, 6 or 8 ports; LC: 4, 8, 12 or 16 ports
Connector Types	SC/APC, SC/UPC, LC/APC, LC/UPC

### Accessories

- Universal L-Bracket
- Universal Z-Bracket

### Configured Part Numbers

F S T -   - Z 2 F - Z Z A

**1**

**2**

**1 Select Distribution Port Count**

- 02 = 2 port
- 04 = 4 port
- 06 = 6 port
- 08 = 8 port
- 12 = 12 port (Dual LC only)
- 16 = 16 port (Dual LC only)

**2 Select Distribution Connector**

- A = SC/UPC
- C = SC/APC
- F = LC/UPC
- H = LC/APC

