

# FieldShield® SmarTerminal

## MPO Breakout



### Application

For service providers looking to remove splicing from small count fiber deployments, the MPO Breakout SmarTerminal provides a hardened MPO OSP plug-and-play solution. Once deployed in an industry standard OSP enclosure, a MPO to MPO patch cord or MPO to SC or LC connector breakout feeder assembly is pulled back to the fiber distribution point and plugged into an available network port. FieldShield Microducts are routed from the SmarTerminal to the customer premise and a FieldShield Hardened Pushable Drop Cable is installed once service turn-up is required.

### Description

The MPO Breakout Multipoint SmarTerminal provides up to eight SC or 12 LC pre-connectorized distribution ports terminated to an MPO breakout feeder input port. By simplifying the patch and splice configuration to a plug-and-play solution, deployment is built around a single SmarTerminal part number and matching MPO feeder cables built to specific application or standardized lengths.



### Features and Benefits

#### Integrity

- Compliant to Telcordia GR-3120
- Supports FieldShield Pushable SC and dual LC connectors
- 100% performance tested for insertion loss, return loss and final mechanical inspect

#### Protection

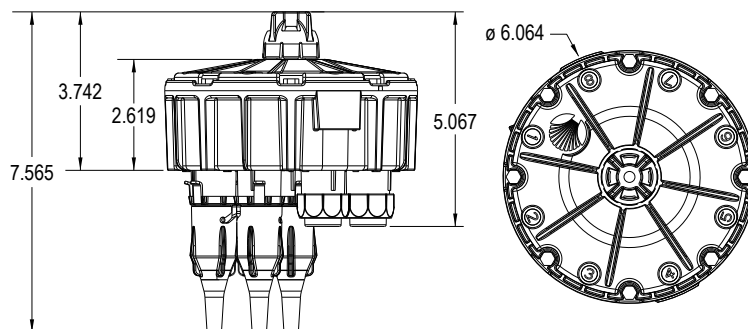
- Optimized for use with FieldShield Microduct and Pushable Fiber
- Black UV resistant thermoplastic designed to resist corrosion
- Environmentally sealed terminal providing maximum reliability and durability in the harshest OSP environments
- Hardened Pushable Connectors provide bend-limiting, strain relief protection for FieldShield Pushable Drop Cables and Feeder Assemblies

#### Access

- Accepts up to eight SC or 16 LC distribution ports
- Compact sealed design allows placement above or below grade
- Patch and splice configurations accept most Flat Drop and OSP cable types
- Optical component solutions maximize existing architectures and eliminate fiber exhaust scenarios

#### Investment

- Flexibility in configuration provides maximum scalability across multiple services classes
- Field-assembled FieldShield Pushable Drop Cables reduce installation time and labor costs by removing expensive splicing labor from the SmarTerminal to customer premise
- Pre-terminated factory polished feeder and drop cables improve network operability across multiple network access points



# FieldShield® SmarTerminal

## MPO Breakout



### Technical Specifications

FieldShield SmarTerminal MPO Breakout	
Dimensions	4.74" H x 6.06" Diameter
Material	Black Thermoplastic
Mounting Methods	Snap-on Toggle Head; Universal L-Bracket; Universal Z-Bracket
Mounting Options	Below Grade: flower pot or vault Above Grade: cabinet, pedestal, pole mount or aerial/strand mount
Internal Slack Storage	N/A
External Slack Storage	Virtually unlimited - depends on vault size or mounting application
Feeder Ports	One port in the middle of SmarTerminal
Distribution Ports	SC: 2, 4, 6 or 8 ports LC: 4, 8, 12 or 16 ports
Connector Types	SC/APC, SC/UPC, LC/APC, LC/UPC

### Configured Part Numbers

F S T -           - 5 1 Z - Z Z A

1

2

**1 Select Distribution Port Count**

- 02 = 2 port
- 04 = 4 port
- 06 = 6 port
- 08 = 8 port
- 12 = 12 port (dual LC only)
- 16 = 16 port (dual LC only)

**2 Select Distribution Connector**

- A = SC/UPC
- C = SC/APC
- F = LC/UPC
- H = LC/APC



SmarTerminal in a CraftSmart Fiber Protection Vault  
V5A-AZP vault shown; with optional step rack - VAP-STEP