

StreetSmart™

Mini FEC Wall Box



Application

When an application requires splicing IFC (intra-facility) cable to an OSP (outside plant) cable and space is a concern, the StreetSmart Mini FEC Wall Box is your product of choice. The Mini FEC is a scalable wall box that has a maximum capacity of 96 loose tube splices with cable management and slack storage. Each splice tray comes equipped with a 24-fiber heat shrink fusion splice chip. The Mini FEC is an ideal solution for use in MDUs, SFUs, cell towers and business class services.

Description

The Mini FEC Wall Box can support both indoor and outdoor environments. Each Mini FEC comes equipped with industry standard splice trays, cable management clips, a ground lug and two ship-along cable clamps. Each splice tray can support 24 splices with a maximum capacity of four splice trays per wall box or 96 splices. Slack storage is available for up to 5' (1.52 m) per buffer tube and up to 5' (1.52 m) per IFC micro-distribution cable.



Features and Benefits

Integrity

- Industry standard splice tray
- NEMA 4 rated
- Material is high impact flame retardant PVC3 with high column strength and low-coefficient PBT

Protection

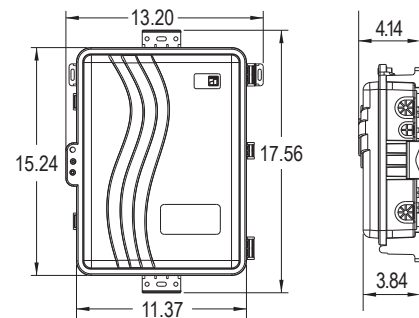
- Ruggedized storage clips
- Security screw with ability to secure with padlock
- Gasket seal

Access

- Wall mount capable
- Two bottom 3/4" (19.05 m) entry/exit ports
- Removable splice trays

Investment

- Splice trays support both loose tube and ribbon constructions for single and mass fusion (ribbon) splicing
- Scalable with 24 splices per tray loose tube or 72 splices per tray ribbon
- Complete cable management solution installed from the factory
- Two Sealcon connectors are included



Technical Specifications

StreetSmart Mini FEC Wall Box	
Dimensions	Inside: 15.24" H x 11.37" W x 4.14" D (387.09 mm x 288.80 mm x 105.16 mm)
Splice Density	96 loose tube heat shrink
Storage Capacity Per Cable	5' (1.52 m) of 3 mm loose tube buffer OSP; 5' (1.52 m) of 3 mm micro-distribution IFC
Mounting Options	Wall mount, pole mount
Material	High impact and flame retardant PVC3/ high column strength and low-coefficient PBT

Pre-Configured Part Numbers

Part Number	Splice Trays* Shipped	Splice Capacity
FDP-XWB2-24-FEC	1	24
FDP-XWB2-48-FEC	2	48
FDP-XWB2-72-FEC	3	72
FDP-XWB2-96-FEC	4	96

Individual Splice Trays

Part Number	Maximum Loose Tube Splice Capacity	Maximum Ribbon Splice Capacity
019339	24	72