

# FieldSmart® Fiber Delivery Point (FDP) SCD Wall Box for xPAK



## Application

Engineered to land small port count fiber terminations and optical components as conveniently as possible, the FieldSmart FDP SCD Wall Box for xPAK is optimized for delivery of a single Clearview® xPAK with up to six fibers. The lockable, NEMA 4 rated enclosure is compact, making it ideal for a variety of applications, including harsh environment locations surrounding fiber demarcation, entrance facilities, FTTP drop boxes and cell backhaul. Additional applications include MDU, business class services, power and wind farms and DOT/Traffic monitoring.

## Description

Optimized for use with the Clearview xPAK, the FieldSmart Small Count Delivery Wall Box for xPAK is ideal for any small count fiber scenarios where 2, 4 or 6 fibers are required in a discrete footprint without sacrificing fiber management. With the Small Count Delivery (SCD) platform, the Clearview xPAK and FieldSmart FDP SCD Wall Box for xPAK enclosure are packaged together to make landing small count fiber more cost-effective and efficient than previously thought possible. Standardizing on a craft-friendly, building block architecture reduces the operating costs of fiber deployment by reducing installation times and inventory carrying requirements.

## Features and Benefits

### Integrity

- RUS listed
- Utilizing the Clearview xPAK, it supports industry standard SC and LC singlemode connectors
- Dual snap locks to ensure lid seals to base
- Mounting hole pattern for multiple applications

### Protection

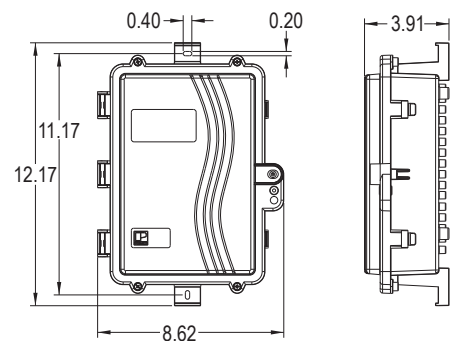
- Radius protected storage for up to 15 feet of buffer tube
- NEMA 4 rated
- Security screw with ability to secure with padlock
- Gasket seal
- Ground lug included

### Access

- Small design facilitates ease of use in crowded environments
- Easy to install with both internal and external mounting holes
- Two bottom entry/exit points

### Investment

- Patch and splice (Clearfield's in-cassette splicing solution) or patch only
- Surface or pole mount capable
- Flame retardant PVC for durability



FDP-xAK1

# FieldSmart® Fiber Delivery Point (FDP) SCD Wall Box for xPAK



## Technical Specifications

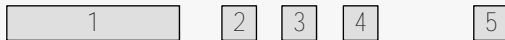
FieldSmart SCD Wall Box for xPAK	
Dimensions	12.17" H x 8.62" W x 3.91" D (309.11 mm x 218.94 mm x 99.31 mm)
Port Density	Up to six ports
Cassette Types Supported	Clearview® xPAK
Connector Types	SC/UPC, SC/APC, LC/UPC, LC/APC, FC/UPC, FC/APC, ST/UPC, MPO
Cable Types	Indoor Riser, Indoor Plenum, Indoor/Outdoor, Outdoor (Riser/Non-Rated), Outdoor Armored (Riser/Non-Rated), FieldShield®
Splice Capacity	Six splices in each Clearview xPAK
Storage Capacity	One meter of 900 µm fiber and up to 5 meters of jacketed fiber
Material	UV stabilized, flame retardant polymer (PVC)

## Pre-Configured Part Numbers

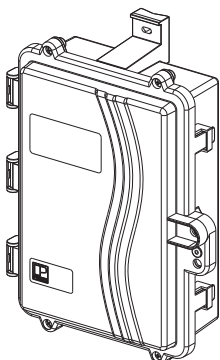
Part Number	Description
FDP-xWB1	Wall box with ¾ in. Sealcon fitting
FDP-xAK1	Optional accessory kit (includes one fitting and two strength member clamps)

## Configured Part Numbers

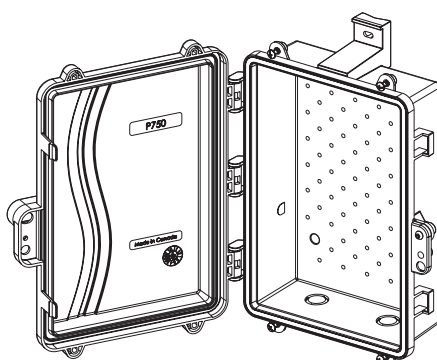
W R Z - \_\_\_\_\_ - \_\_\_\_\_ - Z Z \_\_\_\_\_ XXXM or XXXF



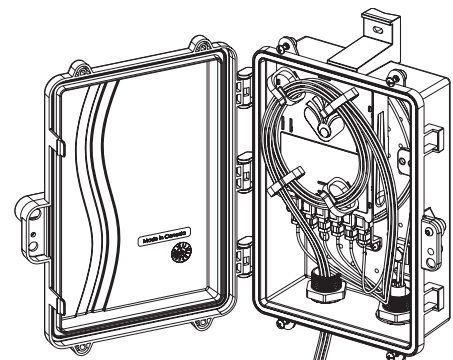
- |  |   |   |
|--|---|---|
| <p><b>1</b> Select Port Count</p> <p>002 = 2 port      006 = 6 port<br/>004 = 4 port      012 = 12 port (LC only)</p>                  | <p><b>3</b> Select Mode / Type</p> <p>1 = Singlemode, non ribbon<br/>2 = Singlemode, ribbon</p>   | <p><b>5</b> Select Cable Exit *</p> <p>4 = Bottom left<br/>7 = Bottom right</p>   |
| <p><b>2</b> Select Connector Style</p> <p>A = SC/UPC      H = LC/APC<br/>C = SC/APC      J = FC/UPC<br/>F = LC/UPC      M = ST/UPC</p> | <p><b>4</b> Select Cable Construction</p> <p>A = IFC riser<br/>B = OSP riser rated<br/>C = IFC plenum<br/>E = OSP (non-rated)<br/>M = OSP (armored, non-rated)<br/>T = Flat drop (non-toneable)<br/>W = FieldShield</p> | <p><b>XXXXM or XXXF</b></p> <p>XXXXM = Length in meters<br/>XXXF = Length in feet</p> <p>* Cable exit is defined by which direction the cable exits the panel when viewing it from the front.</p> |



Front - Closed



Front - Open



Front - Open  
Loaded with Clearview xPAK