

FieldSmart® Fiber Delivery Point (FDP) SCD Wall Box for Cassette



Application

Ideal for any small count fiber scenario, the FieldSmart Small Count Delivery (SCD) Wall Box for Cassettes accepts up to two Clearview® Cassettes, providing up to 24 fibers in a discrete footprint without sacrificing fiber management. Designed to land small port count fiber terminations and optical components as conveniently and inexpensively as possible, this flexible solution is perfectly suited for in-building needs, such as business class demarcations, MDU distribution points and IDF locations in enterprise networks as well as pole-mount applications in outside plant environments. When paired with a Clearview MPO Breakout Cassettes and a StrongFiber Deploy Reels, the FieldSmart SCD Wall Box provides a complete plug-and-play solution for the MDU environment.

Description

The FieldSmart SCD Wall Box for Cassettes complements the FieldSmart Fiber Delivery Point (FDP) Wall Box line, which provides three unique wall box designs that deliver 36 to 144 ports of fiber management in a traditional sheet-metal configuration. As a lower cost alternative to sheet-metal designs, this lockable, NEMA 4 rated enclosure is consistent with Clearfield's long-standing reputation of delivering simple solutions for complex problems.

Designed around the Clearview Cassette, the FieldSmart SCD Wall Box for Cassettes uses the same components as the other elements of the FieldSmart product platform. Slack storage is an integrated component of the solution with the Clearview U-Mount bracket accepting up to two Clearview Cassettes and providing up to feet (4.57 m) of buffer tube slack storage. Unique to Clearfield® design is the ability bring multiple fiber sheaths into the FieldSmart SCD Wall Box. Each sheath will be protected within their own Clearview Cassette, providing service providers the ability to isolate one fiber sheath from another within the same enclosure.

Features and Benefits

Integrity

- Utilizing the Clearview Cassettes, it supports industry standard SC and LC singlemode connectors
- Dual snap locks to ensure lid seals to base
- Mounting hole pattern for multiple applications

Protection

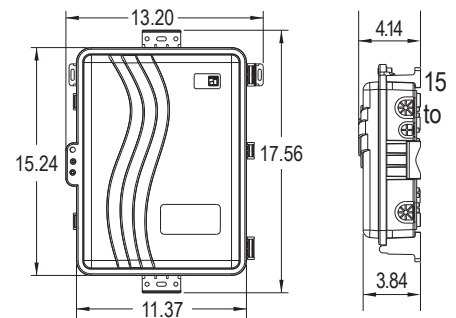
- Radius protected storage for up to 15 feet (4.57 m) of buffer tube
- NEMA 4 rated
- Security screw with ability to secure with padlock
- Gasket seal
- Ground lug included

Access

- Small design facilitates ease of use in crowded environments
- Easy to install with both internal and external mounting holes
- Two bottom entry/exit points

Investment

- Patch and splice (Clearfield's in-cassette splicing solution) or patch only
- Surface or pole mount capable
- Flame retardant PVC for durability



FieldSmart® Fiber Delivery Point (FDP) SCD Wall Box for Cassette



Technical Specifications

FieldSmart SCD Wall Box for Cassette	
Dimensions	17.56" H x 13.17" W x 3.84" D (446.02 mm x 334.52 m x 97.54 mm)
Port Density	Up to 24 ports
Cassette Types Supported	Clearview® Classic and Clearview Blue
Connector Types	SC/UPC, SC/APC, LC/UPC, LC/APC, FC/UPC, FC/APC, ST/UPC, MPO
Cable Types	Indoor Riser, Indoor Plenum, Indoor/Outdoor, Outdoor (Riser/Non-Rated), Outdoor Armored (Riser/Non-Rated), FieldShield®
Splice Capacity	12 or 24 splice configurations in each Clearview Cassette
Storage Capacity	One meter of 900 µm fiber and up to 5 meters of jacketed fiber
Material	UV stabilized, flame retardant polymer (PVC)

Pre-Configured Part Numbers

Part Number	Description
FDP-xWB2-12-SCA	Wall Box with (12) SC/APC ports in one Clearview® Cassette
FDP-xWB2-12-SC	Wall Box with (12) SC/UPC ports in one Clearview Cassette
FDP-xWB2-12-LC	Wall Box with (12) LC/UPC ports in one Clearview Cassette
FDP-xWB2-12-LC-TIE	Wall Box with (12) LC/UPC tie ports in one Clearview Cassette
FDP-xWB2-12-LCA	Wall Box with (12) LC/APC ports in one Clearview Cassette
FDP-xWB-24-SCA	Wall Box with (24) SC/APC ports in two Clearview Cassette
FDP-xWB2-24-SC	Wall Box with (24) SC/UPC ports in two Clearview Cassette
FDP-xWB2-24-LC	Wall Box with (24) LC/UPC ports in two Clearview Cassette
FDP-xWB2-24-LCA	Wall Box with (24) LC/APC ports in two Clearview Cassette

Configured Part Numbers

W S _____ - _____ - _____ - Z Z _____ XXXM or XXXF

1 2 3 4 5 6

1 Select Clearview Cassette
B = Clearview Blue

2 Select Port Count
012 = 12 port 024 = 24 port

3 Select Connector Style
A = SC/UPC H = LC/APC
C = SC/APC J = FC/UPC
F = LC/UPC M = ST/UPC

4 Select Mode / Type
1 = Singlemode, non ribbon
2 = Singlemode, ribbon

5 Select Cable Construction
A = IFC riser
B = OSP riser rated
C = IFC plenum
E = OSP (non-rated)
M = OSP (armored, non-rated)
T = Flat drop (non-toneable)
W = FieldShield

6 Select Cable Exit *
4 = Bottom left
7 = Bottom right
Z = None

XXXM or XXXF
XXXM = Length in meters
XXXF = Length in feet

* Cable exit is defined by which direction the cable exits the panel when viewing it from the front.

