

# FieldSmart<sup>®</sup> Fiber Distribution Hub (FDH) 144-Port PON Cabinet



## Application

FieldSmart Fiber Distribution Hub (FDH) 144-Port PON Cabinet provides an interconnect environment from the feeder network through the optical passive splitter to the distribution network. Designed for the outside plant environment, these cabinets provide a single distribution point to distribute FTTH in urban or dense neighborhoods. Providing distribution scalability from 12 to 144 ports, network architecture can be maximized for both existing subscribers as well as future growth opportunities.

## Description

The FieldSmart FDH 144-Port PON Cabinet is the complete solution for managing up to 144 port distribution fibers for an outside plant FTTx PON application. Integrated into the cabinet design is the 12 port Clearview<sup>®</sup> Cassette, providing multiple cabinet configurations and allowing the service provider to align the investment in capital equipment to the turn-up of revenue-generating circuits.

The FieldSmart FDH 144-Port PON Cabinet incorporates a new pyramid shaped roof/solar shield and venting ports, providing additional protection for deployed fiber. Mounting options include pole mounted or pad/vault mounted with either a 4" or 12" (101.60 mm or 304.80 mm) riser.



## Features and Benefits

### Integrity

- Terminations are designed and tested to Telcordia GR-326
- Clearfield<sup>®</sup> FiberDeep<sup>®</sup> Guarantee: 0.2 dB insertion loss or less, exceeding industry standards
- Designed to comply to Telcordia GR-20, GR-487, and GR-3125
- Designed to meet NEMA 4 specifications
- Constructed with 0.125 aluminum
- Powder coated for additional protection
- 300 series stainless steel fasteners used on all cabinets
- Same mounting (riser) as FieldSmart 288-port PON Cabinet

### Protection

- 12-fiber Clearview Cassette protects fiber from environmental and human factors
- Rugged cable clamps protect the OSP cable breakouts from twisting and pistoning
- Patch only buffer tubes are fully protected with ruggedized bend-limiting tubing
- Snake skin sleeving provides additional buffer tube slack storage protection and manageability for patch and splice (Clearfield's in-cassette splicing solution) configurations
- WaveSmart Ruggedized Splitters are built with ruggedized jacketing and bend-insensitive fiber for all input and output legs
- Pyramid roof and venting provide additional protection in all environments

### Access

- Clearview Cassette allows for quick visual troubleshooting without opening cassette
- Front access to pre-terminated assemblies with Clearview removable adapter plate
- Easy two captive fasteners for quick removal of individual cassettes for trouble shooting, splicing or replacing
- Front and rear access doors
- Bottom exit/entrance for fiber cables

### Investment

- Fiber is deployed in increments of 12, providing the users the ability to scale from 12 ports to full capacity, aligning capital investment with network layout or subscriber revenue
- Express ports allow for extensions or parallel networks through the cabinet
- Patch and splice configurations eliminate costs associated with additional hand-holes and splice cases

# FieldSmart® Fiber Distribution Hub (FDH) 144-Port PON Cabinet



## Technical Specifications

FieldSmart FDH 144-Port PON Cabinet	
Cabinet Dimensions (Without Risers or Pole Mount Brackets)	17.81" W x 18.53" D x 21.62" H (452.37 mm x 470.66 mm x 549.15 mm)
Optional Risers (same riser as 288 cabinet) Weight and Exterior Dimensions	4" (101.60 mm)/6 lbs. (2.72 kg) or 12" (304.80 mm)/12 lbs. (5.44 kg) 16.78" W x 15" D x 4" or 12" High (426.21 mm x 381.00 mm x 101.60 mm or 304.80 mm)
Weight	Approx. 40 lbs. (18.14 kg)
Feeder/Express Ports	12 or 24
Cable Entrances	6 - Bottom only
Mounting Options (Hoist Kits Included with Each Cabinet)	Vault mount, pole mount, pad mount
Splitter Slots for WaveSmart Ruggedized Splitters	4
Cassette Type Supported	Clearview Blue
Connector Types	SC/UPC, SC/APC, LC/UPC, LC/APC
Cable Types	Indoor/Outdoor, Outdoor (Riser/Non-Rated), Outdoor Armored (Riser/Non-Rated)
Splice Capacity	12 splices in each Clearview Cassette
Material	0.125 aluminum with almond powder coating

## Accessories

- Pole Mount Kit
- Risers: 4" and 12" (101.60 mm or 304.80 mm)
- Exterior Ground Box - Available with 12" Riser Only
- WaveSmart Ruggedized Splitter
- Mid-Span/Feed-Through Plate Kit

## Configured Part Numbers

R - C      -      -      - 0      - B **XXXM or XXXF**

1 2 3 4 5 6 7 8 9

**1 Select Cabinet Riser/Mounting**

A = 4" (101.60 mm)  
B = 12" (304.80 mm)  
C = No Riser With Pole Mount Kit  
D = 4" (101.60 mm) Riser with Pole Mount Kit

**4 Select Connector**

A = SC/UPC  
C = SC/APC  
F = LC/UPC DX  
H = LC/APC DX

**7 Select Qty. of 144 Fiber OSP Cables**

0 = 0  
1 = 1

**2 Select Feeder**

1 = 12  
2 = 24  
Z = No Feeder

**5 Select Mode / Type**

1 = Singlemode – non-ribbon  
2 = Singlemode – ribbon

**8 Select Qty. of 96 Fiber OSP Cables**

0 = 0  
1 = 1

**3 Select Distribution Port Count**

012 = 12                      096 = 96  
024 = 24                      108 = 108  
036 = 36                      120 = 120  
048 = 48                      132 = 132  
060 = 60                      144 = 144  
072 = 72                      000 = No Dist.  
084 = 84

**6 Select Jacket Construction**

B = OSP Riser  
E = OSP, Non-rated  
F = Patch and Splice  
M = OSP Armored (non-rated) Gel-Filled

**9 Select Qty. of 72 Fiber OSP Cables**

0 = 0  
1 = 1  
2 = 2

**XXXM or XXXF**

XXXM = Length in meters  
XXXF = Length in feet

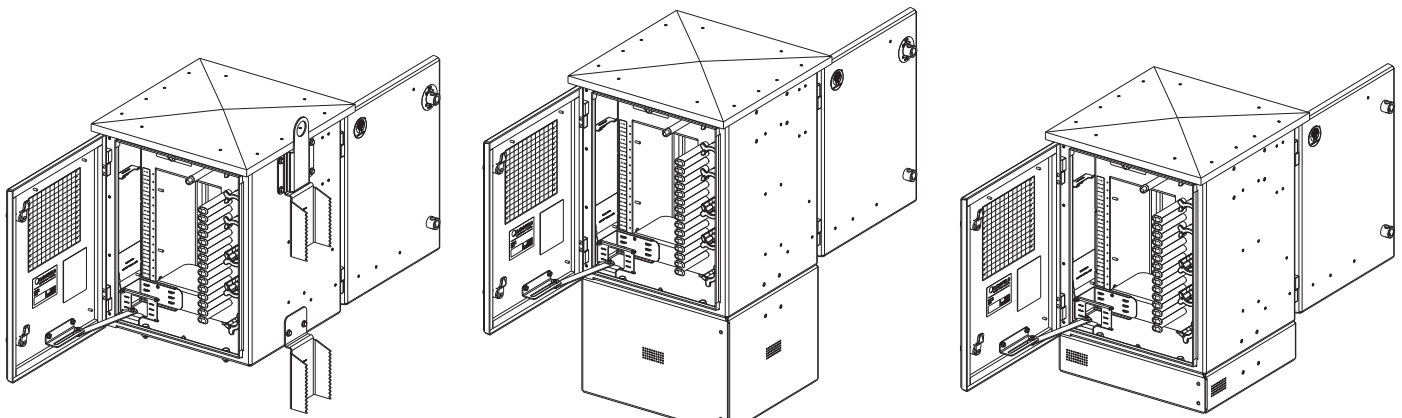
# FieldSmart® Fiber Distribution Hub (FDH) 144-Port PON Cabinet



## Pre-Configured Part Numbers

### Vault Options

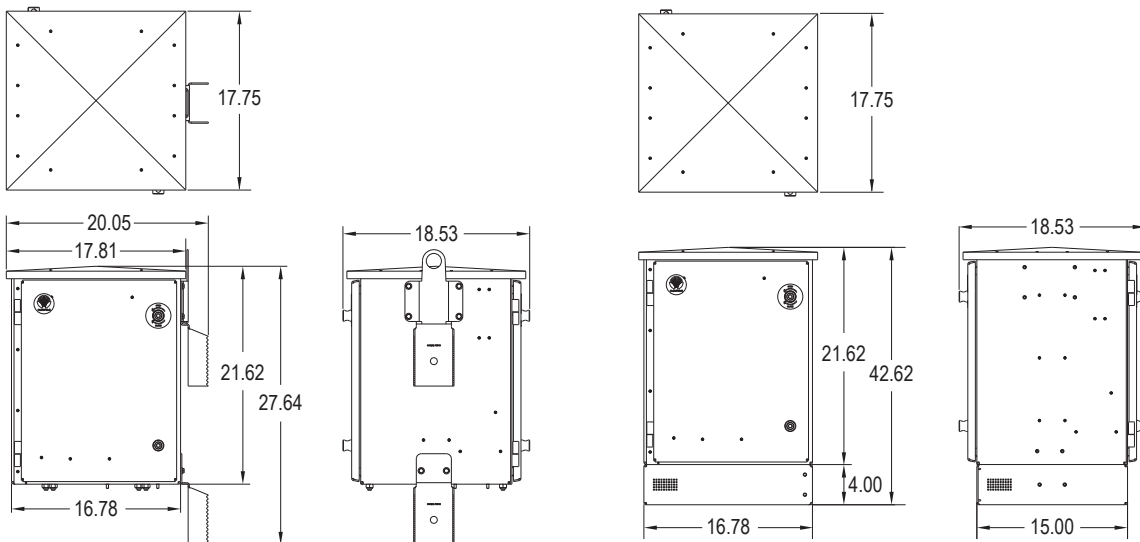
Part Number	Description
V6A-CZP	Vault, below grade Pencil, 24" W x 36" L x 24" D (609.60 mm x 914.40 mm x 609.60 mm), split HDPE lid, hex bolts, green, with cut out for FieldSmart Cabinets, straight wall, with bolt kit
V6B-CZP	Vault, below grade Pencil, 24" W x 36" L x 36" D (609.60 mm x 914.40 mm x 914.40 mm), split HDPE lid, hex bolts, green, with cut out for FieldSmart Cabinets, straight wall, with bolt kit
V6B-HZP	Vault, below grade Pencil, 24" W x 36" L x 36" D (609.60 mm x 914.40 mm x 914.40 mm), split PC lid, hex bolts, gray, with cut out for FieldSmart Cabinets, straight wall
V7A-CZP	Vault, below grade Pencil, 30" W x 48" L x 24" D (762.00 mm x 1219.20 mm x 609.60 mm), split HDPE lid, hex bolts, green, with cut out for FieldSmart Cabinets, straight wall, with bolt kit
V7B-CZP	Vault, below grade Pencil, 30" W x 48" L x 36" D (762.00 mm x 1219.20 mm x 914.40 mm), split HDPE lid, hex bolts, green, with cut out for FieldSmart Cabinets, straight wall, with bolt kit
FMA-H3Z-BC-SUB	Pole Mount Kit, for FieldSmart FDH cabinets, 144



144 with Pole Mount Brackets

144 with 12" (304.80 mm) Riser

144 Interior View



144 with Pole Mount Kit - Dimensions

144 with 4" (101.60 mm) Riser - Dimensions