

FieldSmart[®]

96-Port PON FDH Cabinet



Application

Clearfield's FieldSmart PON Fiber Distribution Hub (FDH) Cabinet family provides an interconnect environment from the feeder network through the optical passive splitter to the distribution network. Designed for the outside plant environment, these cabinets provide a single distribution point to deploy FTTH and are ideal for residential, MDUs and business class environments. Providing distribution scalability from 12 to 96 ports, network architecture can be maximized for both existing subscribers as well as future growth opportunities.

Description

The FieldSmart 96-Port PON FDH Cabinet is the smallest PON cabinet in the Clearfield product offering, measuring 24.2" H x 13.5" W x 10.7" D.

Designed for a pole or wall mounted deployment, this cabinet exterior was modeled after our existing FDH cabinet line, while the interior bulkhead was modeled after our pedestal mounted PON insert, offering up to 12 feeder/express ports and up to 96 distribution ports.

The 96-Port PON FDH Cabinet is available in the following options:

- Empty Cabinet
- Patch and Splice Cabinet
- Patch Only Cabinet

Adding Clearfield's Clearview[®] Blue Cassettes as needed allows the provider to align capital expenditures with their customer take-rates.

Features and Benefits

Integrity

- Terminations are designed, tested and certified to Telcordia GR-326
- Clearfield[®] FiberDeep[®] Guarantee: 0.2 dB insertion loss or less, exceeding industry standards
- Fiber cable certified to Telcordia GR-20 and GR-409. Designed, tested and certified to Telcordia GR-3125
- Cabinet constructed with 0.064 aluminum, powder coated for additional protection
- 300 series stainless steel fasteners used on all cabinets

Protection

- 12-fiber Clearview Cassette protects fiber from environmental and human factors
- WaveSmart[®] Ruggedized Splitters are built with ruggedized jacketing and bend-insensitive fiber for all input and output legs
- Pyramid roof and venting provide additional protection in all environments

Access

- Clearview Cassette allows for quick visual troubleshooting without opening cassette
- Front and rear access doors
- Bottom exit/entrance for fiber cables
- Compact design allows for quick and secure pole or wall mount installation and deployment

Investment

- Fiber is deployed in increments of 12, providing the users the ability to scale from 12 ports to full capacity, aligning capital investment with network layout or subscriber revenue
- Express ports allow for extensions or parallel networks through the cabinet
- Patch and splice configurations eliminate costs associated with additional hand-holes and splice cases



FieldSmart®

96-Port PON FDH Cabinet



Technical Specifications

FieldSmart 96-Port PON FDH Cabinet	
Dimensions	24.2" H x 13.5" W x 10.7" D (does not include pole/wall mount brackets)
Empty Cabinet Weight	Approx. 30 lbs.
Mounting Options	Pole/Wall Mount – brackets included with each cabinet; No riser available for this cabinet
Feeder/Express Capacity	12 – in a Clearview Blue Cassette
Distribution Capacity	Up to 96 in Clearview Blue Cassettes
Cable Entrance Ports	4
Access	Doors on both sides allow complete access to cabinet
Splitters Capacity	Up to 5 WaveSmart High Density Splitters
Security	4 Quarter Turn Latches with Pin in Hex Key
Material/Thickness	.064" Aluminum with Almond Powder Coat Paint

Pre-Configured Part Numbers

Part Number	Description
FMA-H3Z	Pole Mount Kit, For FieldSmart and FDH Cabinets - 96, 288, 432. Included with each 96 Port
R-KCZ-000-ZZZ-0000-B-SUB	FieldSmart 96 Port FDH Cabinet with Pole/Wall Mount Brackets, Capacity-12 Feeder and 96 Distribution Ports, No Cassettes Included

Configured Part Numbers

R - K _____ - _____ - _____ - 0 0 _____ - _____ XXXM or XXXF

1 2 3 4 5 6 7 8 9

1 Select Cabinet Riser/Mounting
C = No Riser With Pole/Wall Mount Kit

2 Select Feeder
1 = 12
Z = No Feeder

3 Select Distribution Port Count
XXX = Port Count in Increments of 12 (Max. 96)
000 = No Distribution

4 Select Connector
A = SC/UPC F = LC/UPC DX
C = SC/APC H = LC/APC DX

5 Select Mode / Type
1 = Singlemode – non-ribbon
2 = Singlemode – ribbon

6 Select Jacket Construction
B = OSP Riser
E = OSP, Non-rated
F = Patch and Splice
M = OSP Armored

7 Select Qty. of 96 Fiber OSP Cables
0 = 0
1 = 1

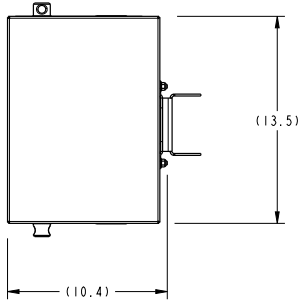
8 Select Qty. of 72 Fiber OSP Cables
0 = 0
1 = 1

9 Select Ground Box/Extras
B = Clearview Blue Cassettes

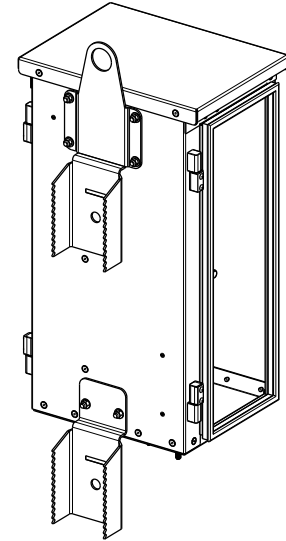
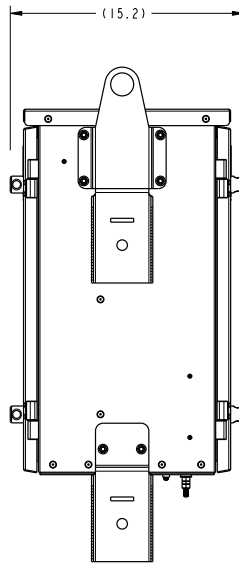
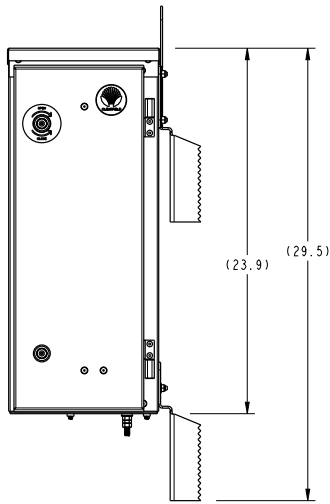
XXXM or XXXF
XXXM = Length in meters
XXXF = Length in feet

FieldSmart[®]

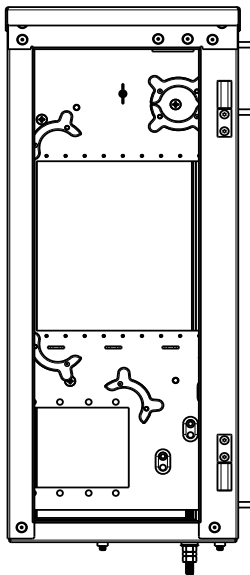
96-Port PON FDH Cabinet



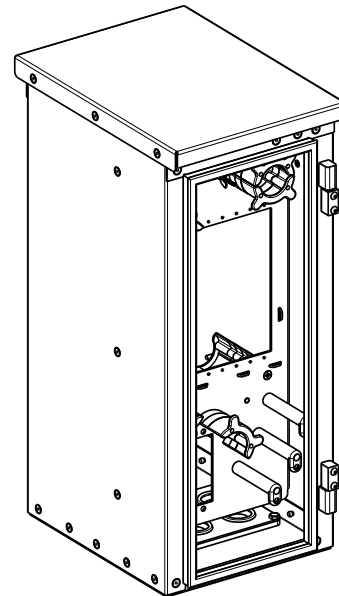
Top, front and side views with dimensions



Side view, with doors closed, showing pole/wall mount brackets



Bulkhead Cable Management View -
Inside the Cabinet



Side view with door open, showing
bulkhead orientation