

FieldSmart® Fiber Delivery Point (FDP) KIS Outdoor Enclosure



Application

The FieldSmart Fiber Delivery Point (FDP) KIS Outdoor Enclosure is the first outdoor wall box optimized for Clearfield's FieldShield® Fiber delivery system and can be deployed in a variety of applications. Primarily designed for cell backhaul, the KIS box can be deployed as a stand-alone demarcation point or interconnect point either on or in-building for the carrier's presence at the cell site. It also provides ganging capabilities allowing one box to be dedicated to the provider and their long-haul cables, while accepting the carrier's cell traffic from a separate, secure and dedicated KIS box. With the ability to support any media in any splice or pre-terminated configuration, as well as, optical component integration within the Clearview® Blue Cassette, the KIS box is a flexible fiber solution for everything from the MDU to the antenna.

Description

The FieldSmart Fiber Delivery Point (FDP) KIS Outdoor Enclosure is a universal housing that can deliver fiber from a communications closet all the way to an antenna and everything in between. The FDP-KIS is optimized for pushable fiber and 10 mm microduct and will accommodate up to 48 ports of fiber terminations within a single, small package footprint. With a wide variety of mounting options (wall, pole, H-Frame) and multiple cable entrance/exit ports on all four sides of the unit, the FDP-KIS provides maximum flexibility in your installation and deployment into the network.

With overall dimensions of 14.65" H x 11" W x 4" D (372.11 mm x 279.40 mm x 101.60 mm), the FDP-KIS can be mounted in space constrained areas and has the ability to be "ganged together" to provide an excellent demarcation point for service providers to subscribers. Incorporating Clearfield's Clearview® Blue Cassette, with its integrated slack storage, the FDP-KIS provides the highest standard of fiber access and bend-radius protection. Used in conjunction with standard outside plant cable or optimized with FieldShield Pushable Fiber, Clearfield's FDP-KIS will reduce deployment/installation time allowing the provider to increase revenue providing services.

Features and Benefits

Integrity

- Terminations are designed and tested to Telcordia GR-326
- Clearfield® FiberDeep® Guarantee: 0.2 dB insertion loss or less, exceeding industry standards
- Supports all industry standard singlemode and multimode connectors
- 100% performance tested for insertion loss, return loss and final mechanical inspect

Protection

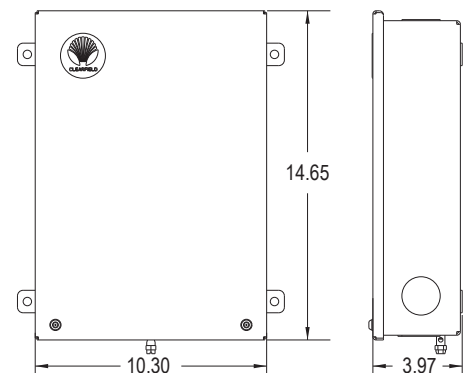
- 0.080 aluminum construction
- Almond powder polyester coating
- Designed to NEMA 4 requirements
- Sealed gasket on the cover makes the unit water/dust resistant
- Special pin in Hex Lock for security on the unit

Access

- Accommodates up to 4 Clearview Blue Cassettes
- Multiple cable entrance/exit ports (up to 6 different ports) – using "knockouts" on the box
 - Accepts up to 6 - 1½" (31.75 mm) couplers for conduit entrance into box
 - Accepts up to 6 - 10 mm FieldShield Microducts
- Mounting tabs located outside of box
- Grounding lug on bottom of box for external grounding

Investment

- Gangable mounting tabs allow multiple FDP-KIS units to mount together
- Scalable to 48 ports of fiber using Clearview Cassettes loaded with your choice of interface
- Pre-configured/pre-loaded factory terminated assemblies
- Patch only, patch and splice (Clearfield's in-cassette splicing solution), MPO plug-and-play and optical component configurations supported



FieldSmart® Fiber Delivery Point (FDP) KIS Outdoor Enclosure



Technical Specifications

FieldSmart KIS Outdoor Enclosure	
Dimensions	14.65" H x 10.30" W x 3.97" D (372.11 mm x 261.62 mm x 100.84 mm) <i>Security Bracket (mounted on bottom of box for ganging applications) 14.78" H x 11.12" W x 3.97" D (375.41 mm x 282.45 mm x 100.84 mm)</i>
Port Density	Up to 48 ports
Cassette Types Supported	Clearview® Blue
Connector Types	SC/UPC, SC/APC, LC/UPC, LC/APC, FC/UPC, FC/APC, ST/UPC, MPO
Cable Types	Indoor Riser, Indoor Plenum, Indoor/Outdoor, Outdoor (Riser/Non-Rated), Outdoor Armored (Riser/Non-Rated), FieldShield®
Splice Capacity	12 splices in each Clearview Cassette
Storage Capacity	One meter of 900 µm fiber and up to 3 meters of jacketed fiber
Material	Aluminum with almond powder coating

Pre-Configured Part Numbers

Part Number	Description
W4B-000-Z0Z-ZZZ-SUB	Empty KIS Box holds up to four Clearview Blue Cassettes
W4B-000-Z0Z-ZZZ-01-SUB	KIS Box with Cable Management Bracket holds up to two Clearview Blue Cassettes
KIS-TROUGH-KIT	Optional security covers for bottom of KIS Box - can be mounted in ganging applications
KIS-ADAPT-KIT	Includes two 1¼" (31.75 mm) conduit fittings, nuts, two cable clamps and six 10 mm fittings for FieldShield Microduct
FMA-H4K- SUB	24/48 port pole mount kit
KIS-10MMCONN-NUT-KIT	Single 10 mm bulkhead connector and nut
KIS-1-1/4COND-NUT-KIT	1¼" (31.75 mm) conduit fitting and nut

