

CraftSmart®

TAP-Splice Home Deployment Kit



Application

A **CraftSmart Home Deployment Kit (HDK)** extends Clearfield's field-proven fiber management expertise and leading-edge fiber connectivity performance all the way into the home. Starting with the Test Access Point (TAP) solution of your choice, the Home Deployment Kit packages the required patch cords, fiber jack (Clearfield's CraftSmart Fiber Outlet) and necessary adapter and splice sleeve installation accessories in a single box. Truck rolls are minimized and customer turn-up is rapid. Choose the **CraftSmart TAP-Splice HDK** for environments where splicing or patch is needed and minimal slack storage is desired within the unit mounted outside the home.

CraftSmart TAP-Splice

The CraftSmart TAP-Splice is a IP-66 patch or splice drop termination point that allows for any type of fiber drop cable to be spliced to an included 1-meter fiber pigtail and plugged into the supplied coupler. This method allows the pre-terminated FLEXdrop entrance fiber to be easily plugged into the TAP-Splice and routed into the home. The 4.0 x 6.5 x 1.75 inch footprint of the CraftSmart TAP-Splice enables providers to discretely place the fiber termination on the side of the home.

Integrity

- IP-66

Protection

- Clamping for feeder cable and drop cable
- Integrated splice tray

Access

- Accepts 10mm microduct and standard flat drop
- Removable rubber entrance/exit grommets

Investment

- Access available without customer needing to be there to identify potential problems



CraftSmart Fiber Outlet

The CraftSmart Fiber Outlet can accommodate 4 entrance points for 3mm cable and up to 4 SC adapter ports. The splice tray is hinged and easily removable for non-splicing applications. This small indoor enclosure provides both bend limiting protection and a secure termination point to connect the entrance fiber to the included equipment jumper.

Integrity

- Supports industry standard SC adapters

Protection

- Snap-on cover for dust free protection

Access

- Easy installation
- Accommodates 4 adapter ports
- Four cable entrance points

Investment

- Cables can be connected without splicing
- Hinged and detachable splice tray



FieldShield FLEXdrop

FieldShield FLEXdrop cable has an OSP-rated PVDF jacketing that allows for transition of FLEXdrop from the OSP environment directly into the inside plant, with the added benefit of being UL listed for plenum applications. FLEXdrop can be used as a building wrap at turn-up, maximizing installation efficiency.

Integrity

- Available in singlemode
- Supports all industry standard connectors

Protection

- UL listed for plenum applications for single fiber only
- Passed UV testing and measurement standards per ASTM G155 for UL 1581
- Bend-insensitive (G.657.A2) fiber protects optical signal with minimal to zero attenuation down to a 10 mm radius
- OSP rated PVDF jacketing provides ruggedized protection for the patchcord or pigtail
- Staple-ready for walls, joists and around corners, with Crown T-18 staples
- Swellable yarns for water blocking capabilities

Access

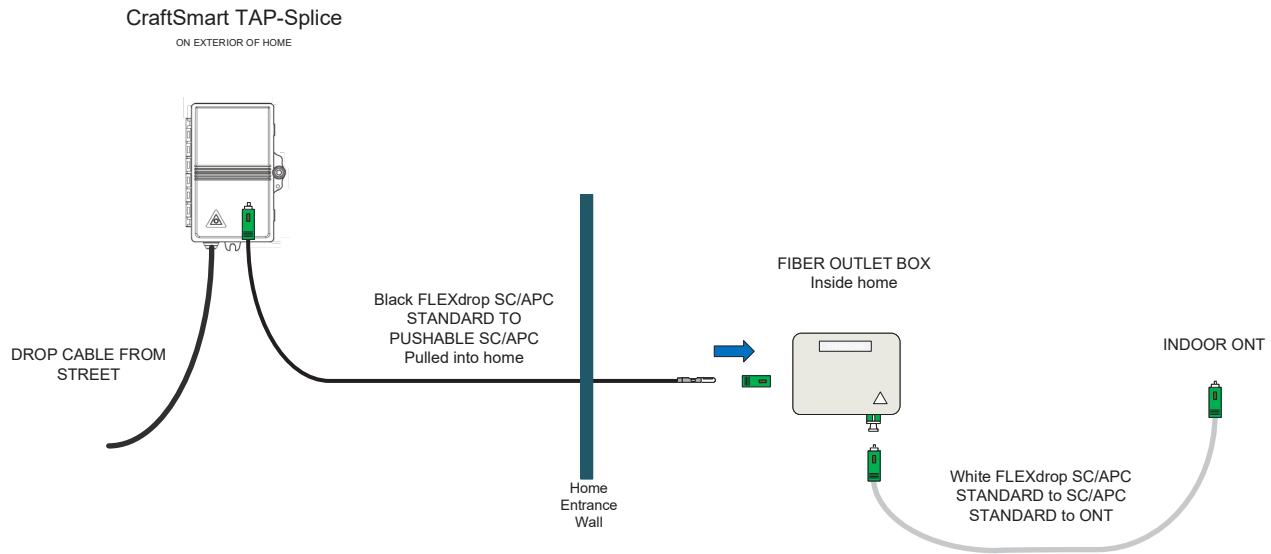
- Standard color is black with an option for off-white
- Suitable for all types of indoor and outdoor implementations (duct required for aerial and direct bury)

Investment

- Quick and easy deployment allows capital investment to be aligned to customer take rates



CraftSmart® TAP-Splice Home Deployment Kit



Technical Specifications

CraftSmart TAP Splice Box	
Dimensions	4.00 x 6.50 x 1.75 Inches
Weight	2 lbs.
Rating	IP-66
Max. Capacity	SC - 2 Ports, LC - 4 Ports, PLC - 1 x 2 (SC)
Installation Size	6.40 x 3.12 Inches
Material	PC+ ABS
Color	White

CraftSmart Fiber Outlet	
Dimensions	3.9 x 3.2 x 1.25 inches (100 x 80 x 32 mm)
Color	White
Operating Temperature	-20°C to 60°C
Material	ABS
Adapter Style Receptacle	SC and LC
Adapter Slots	4 Slots
Accessories	Removable Storage Tray

FieldShield FLEXdrop	
Fiber	Corning ClearCurve Optical Fiber or equivalent
Clad Diameter	125.0 ± 0.7 µm
Coating Diameter (Uncolored)	235 - 245 µm
Bend-Insensitive	Bend-Insensitive Fiber G.657.A2
Color Code	TIA/EIA 598 (US Standard)
Fiber Count	Single and dual fiber
Pushable Connectors	FieldShield SC/UPC and SC/APC
Standard Connectors	SC/UPC and SC/APC
Mode	Singlemode
Internal Fiber Size	900 µm
Outside Diameter	0.118" (3 mm)
Color	Black or white
Material	PVDF
Bend-Radius	Standard to G.657.A2 specifications
Installation Temperature	-22°F to 131°F (-30°C to 55°C)
Operating Temperature	-40°F to 176°F (-40°C to 80°C)
Installation Tension	20 lbf
Markings	Part number, lot number and footage markers every two feet (609.60 mm)
Cable Attenuation Spec	0.35 dB/km @ 1310 nm/0.25 dB/km @ 1550 nm
Recommended Drop Length	150 feet (45.72 m) or less for normal installation conditions

Home Deployment Kit Includes:

- CraftSmart TAP-Splice
- CraftSmart Fiber Outlet
- Black Entrance Cable: FLEXdrop Pushable Fiber (Configurable adapter and lengths)
- White Equipment Cable: FLEXdrop Pushable Fiber (Configurable adapter and lengths)
- 60 mm Splice Sleeve
- 1 Meter SC Pigtail

CraftSmart®

TAP-Splice Home Deployment Kit



Configured Part Number

HDK - E Z - F - FW

1
2
3
4
5
6
7
8

1 Select Adapter

A = SC/UPC
C = SC/APC

2 Select Fiber Outlet Adapter

A = SC/UPC
C = SC/APC

3 Select Connector 1 for Entrance

A = SC/UPC
C = SC/APC

4 Select Connector 2 for Entrance

B = Pullable SC/UPC
D = Pullable SC/APC

5 Select Length

2 = 15 ft.
3 = 25 ft.
4 = 50 ft.

6 Select Connector 1 for Equipment

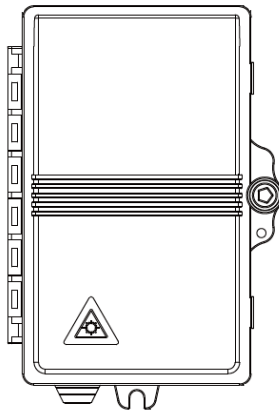
A = SC/UPC
C = SC/APC

7 Select Connector 2 for Equipment

A = SC/UPC
C = SC/APC

8 Select Length

1 = 10 ft.
2 = 15 ft.
3 = 25 ft.



CraftSmart TAP-Splice Front View



Open with Splice Tray