

Clearview[®] Cassette

Clearview Black



Application

Clearview Black provides 12 to 24 ports of connectivity for patch and splice (Clearfield's in-cassette splicing solution), patch only and plug-and-play (MPO/MTP) configurations in any network environment. It scales and multiplies to meet your specific port density and application needs. Additionally, optical components integrate into the cassette, supporting any input/output combination of splitting or mux and demux strategy desired. The Clearview Black Cassette is available for ribbon only fiber.

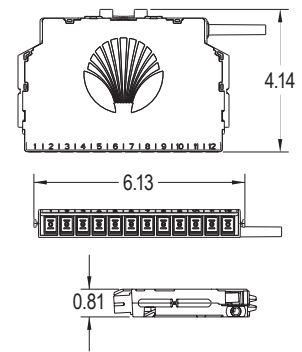
Description

Clearview Black incorporates the same flexibility and scalability of the Clearview Blue, in a 50% smaller footprint. Decreasing the overall footprint of the fiber management element reduces real estate costs and improves density without compromising critical design elements of access, bend-radius protection, physical fiber protection and route-path diversity.

Clearview Black is a three component tool-less system made up of a top cover, base/splice tray and splice tray cover. Parts snap together to support the desired application requirements. All types of fiber cable construction can be integrated within the cassette to support all patch and splice, patch only, plug-and-play, and passive optical component hardware scenarios.

Each patch and splice cassette comes prepared for mass fusion splicing, with one meter of ribbonized 250 μ m fiber preloaded and prepped to splice. Each ribbonizing tool aligns and secures the loose tube fibers into correct color code order, allowing ribbonizing to be completed quickly and easily.

For patch only configurations, the pre-terminated length of OSP or IFC cable is pre-loaded within the Clearview Black Cassette. The cassettes are then preloaded into the FieldSmart[®] product when shipped.



Features and Benefits

Integrity

- Terminations designed, tested and certified to Telcordia GR-326
- MPO Terminations designed, tested and certified to Telcordia GR-1435
- Cassette is designed, tested & certified to GR-63 Flame Spread & Chemical
- Clearfield[®] FiberDeep[®] Guarantee: 0.2 dB insertion loss or less, exceeding industry standards
- Supports industry standard SC and LC singlemode and multimode connectors
- Supports all fiber construction types - patch and splice must be ribbonized
- Modular and scalable

Protection

- Designed to handle the toughest operating environments, provides flexibility and reliable performance
- Slack stored, bend-radius protected and secured against accidental physical damage from handling

Access

- Tool-less, snap together design makes turn-up time even faster
- Two buffer tube/cable entry/exit paths allow the technician a high degree of flexibility in deployment
- Front-access to pre-terminated assemblies with Clearview removable lid
- Ribbonizing allows quicker troubleshooting and restoration of affected fibers, as 12 fibers are ribbonized only where the splicing needs to occur, providing single-circuit access if necessary

Investment

- "Grow-as-you-go"
- Scalable (increments of 12 ports) building block to align capital expenditures to customer take rates
- Modular design allows ports to be configured to user-defined application requirements
- Patch and splice - integrated splice tray removes the need for a separate splice enclosure/cases
- 50% smaller footprint than Clearview Blue allows for more density within all application environments
- Patch and splice integrated splice tray removes need for a separate chassis space or splice enclosure reducing the required real estate
- Ribbonizing loose tube cable allows for mass-fusion of up to 12 fibers at a time, reducing installation time and costs
- Brackets for 19" and 23" (482.60 mm and 584.20 mm) frames

Clearview[®] Cassette

Clearview Black

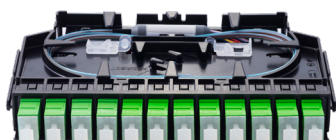


Cassette Configuration Options



Patch Only

Regardless of the industry standard adapters or cable construction, the Clearview Black handles all patch only applications using the lower tray, top cover and built in radius limiter.



Patch and Splice (Clearfield's In-Cassette Splicing Solution)

The splice tray that is molded into the lower tray is all that is needed to deliver integrated patch and splice applications. Pre-loaded with up to one meter of ribbon, 250 μ m assemblies that are pre-terminated with slack stored inside the cassette for splicing.



Optical Components

Clearview integrates optical components into the identical cassette, allowing service providers to mix and match fiber modules with optical components in the same chassis.



MPO Plug and Play

MPO to industry standard connectors allows for plug-and-play by mating MPO to MPO with pre-terminated multi-fiber OSP or IFC.

Clearview[®] Cassette

Clearview Black



Technical Specifications

Clearview Black Cassette	
Dimensions	0.81" H x 6.13" W x 4.14" D (20.57 mm x 155.70 mm x 105.15 mm)
Ratings	Terminations are designed and tested to Telcordia GR-326; Clearfield [®] FiberDeep [®] Guarantee: 0.2 dB insertion loss or less, exceeding industry standards
Backwards Compatible	N/A
Material	Polycarbonate
Connector Types	Supports industry standard SC and LC singlemode connectors
Meters/Feet of Slack Storage	1 meter of 250 μm used for internal ribbon splicing only
Mounting Options	Used with FieldSmart [®] BLG Pivot Bracket

Pre-Configured Part Numbers

Part Number	Description
E1Z-012-A2F-SUB	Clearview Black Cassette, Ribbon, Patch and Splice, Loaded With SC/UPC Adapters, Singlemode
E1Z-012-C2F-SUB	Clearview Black Cassette, Ribbon, Patch and Splice, Loaded With SC/APC Adapters, Singlemode
E1Z-012-F2F-SUB	Clearview Black Cassette, Ribbon, Patch and Splice, Loaded With LC/UPC Adapters, Singlemode
E1Z-012-H2F-SUB	Clearview Black Cassette, Ribbon, Patch and Splice, Loaded With LC/APC Adapters, Singlemode
E1Z-024-F2F-BLACK-SUB	Clearview Black Cassette, Ribbon, Patch and Splice, High Density, Loaded With 24 LC/UPC Adapters, Singlemode
E1Z-024-H2F-BLACK-SUB	Clearview Black Cassette, Ribbon, Patch and Splice, High Density, Loaded With 24 LC/APC Adapters, Singlemode

Configured Part Numbers

E _____ - _____ - _____ - _____ XXXM or XXXF

1 2 3 4 5 6

1 Select Cassette Style

- 1 = Patch and splice
- 2 = Patch only
- 3 = MPO breakout

2 Cable Exit

- R = Right
- L = Left
- Z = None

3 Select Port Count

- 012 = 12
- 024 = 24

4 Select Connector Style

- A = SC/UPC F = LC/UPC
- C = SC/APC H = LC/APC

5 Select Mode / Type

- 1 = Singlemode – loose tube
- 2 = Singlemode – ribbon

6 Select Cable Construction

- A = Indoor riser rated
- B = OSP riser rated
- C = Indoor, plenum rated
- E = OSP (non-rated)
- F = Patch and splice cassettes
- M = OSP (armored)
- W = FieldShield

XXXM or XXXF

- XXXM = Length in meters
- XXXF = Length in feet