

Verizon Transition Box for Wireless to Wireline (W2W) Applications

The Verizon Transition Box for Wireless to Wireline Applications (W2W) serves as the demarcation point between the backhaul fiber provider and the mobile network operator. The W2W Box features:

- Physical security and separation between wireline and wireless fiber connections
- Small footprint (13"L x 8"W x 3"D) with a variety of mounting options
- High fiber density — up to 48 LC fiber connections
- Clearfield FiberDeep® low-loss 0.2dB insertion loss on LC connections
- Pre-stubbed fiber assembly options

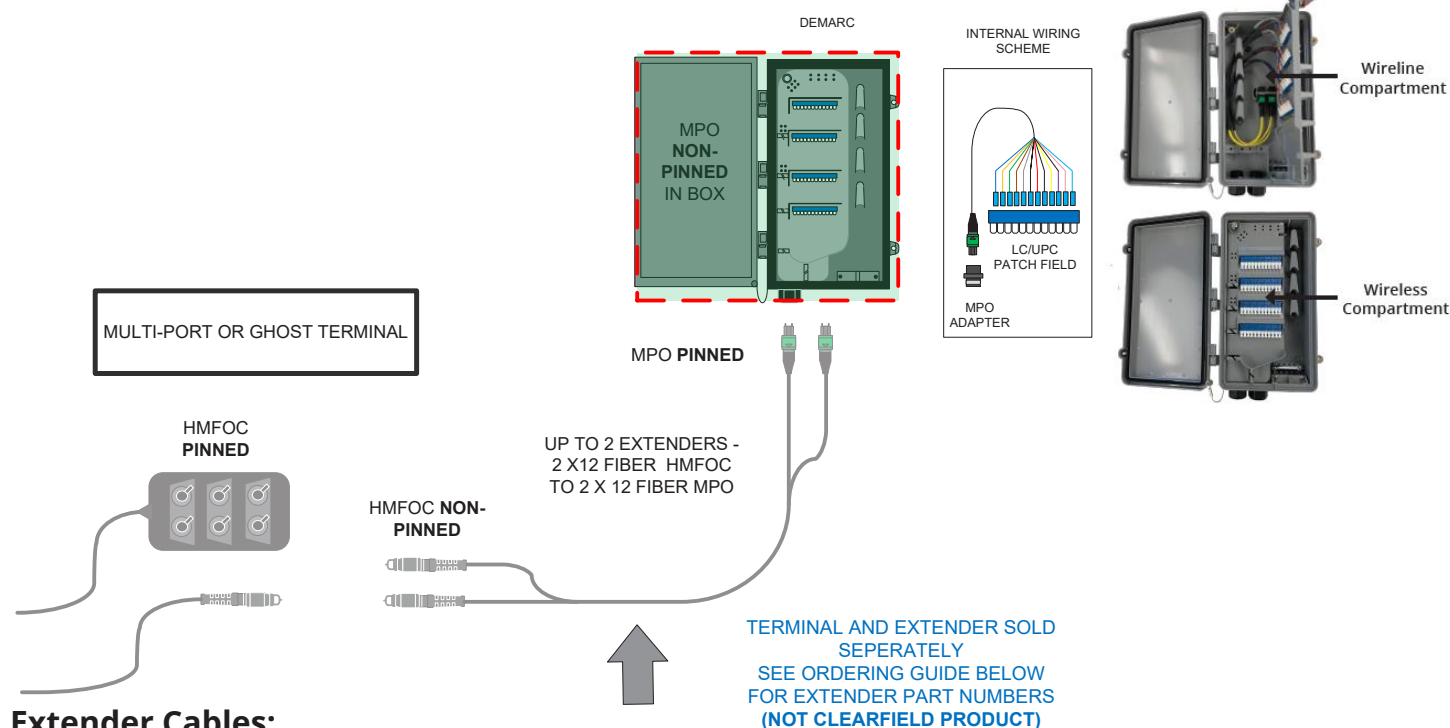


Product Page

Transition Box - MPO to LC/UPC - With Extender

Transition Box with MPO to LC/UPC Fanouts:

Part Number/PeopleSoft	Description	SSI	MMID
19223-W2W-M24-F-01	Transition Box MPO to 24F LC/UPC	11369499	10855421
19223-W2W-M48-F-01	Transition Box MPO to 48F LC/UPC	11369507	10855410



Extender Cables:

Part Number/PeopleSoft	Description	SSI	MMID
MHBD-F1P2C-0050F	Extender 24F HMFOC2 - MPO2 50 FT	11370664	10857034
MHBD-F1P2C-0100F	Extender 24F HMFOC2 - MPO2 100 FT	11370663	10856989
MHBD-F1P2C-0200F	Extender 24F HMFOC2 - MPO2 200 FT	11370662	10857033
MHBD-F1P2C-0300F	Extender 24F HMFOC2 - MPO2 300 FT	11370661	10857023
MHBD-F1P2C-0400F	Extender 24F HMFOC2 - MPO2 400 FT	11370660	10856940
MHBD-F1P2C-0500F	Extender 24F HMFOC2 - MPO2 500 FT	11370659	10857020
MHBD-F1P2C-0750F	Extender 24F HMFOC2 - MPO2 750 FT	11370658	10857588
MHBD-F1P2C-1000F	Extender 24F HMFOC2 - MPO2 1000 FT	11370657	10857032

Stubbed Transition Box - Stub to LC/UPC

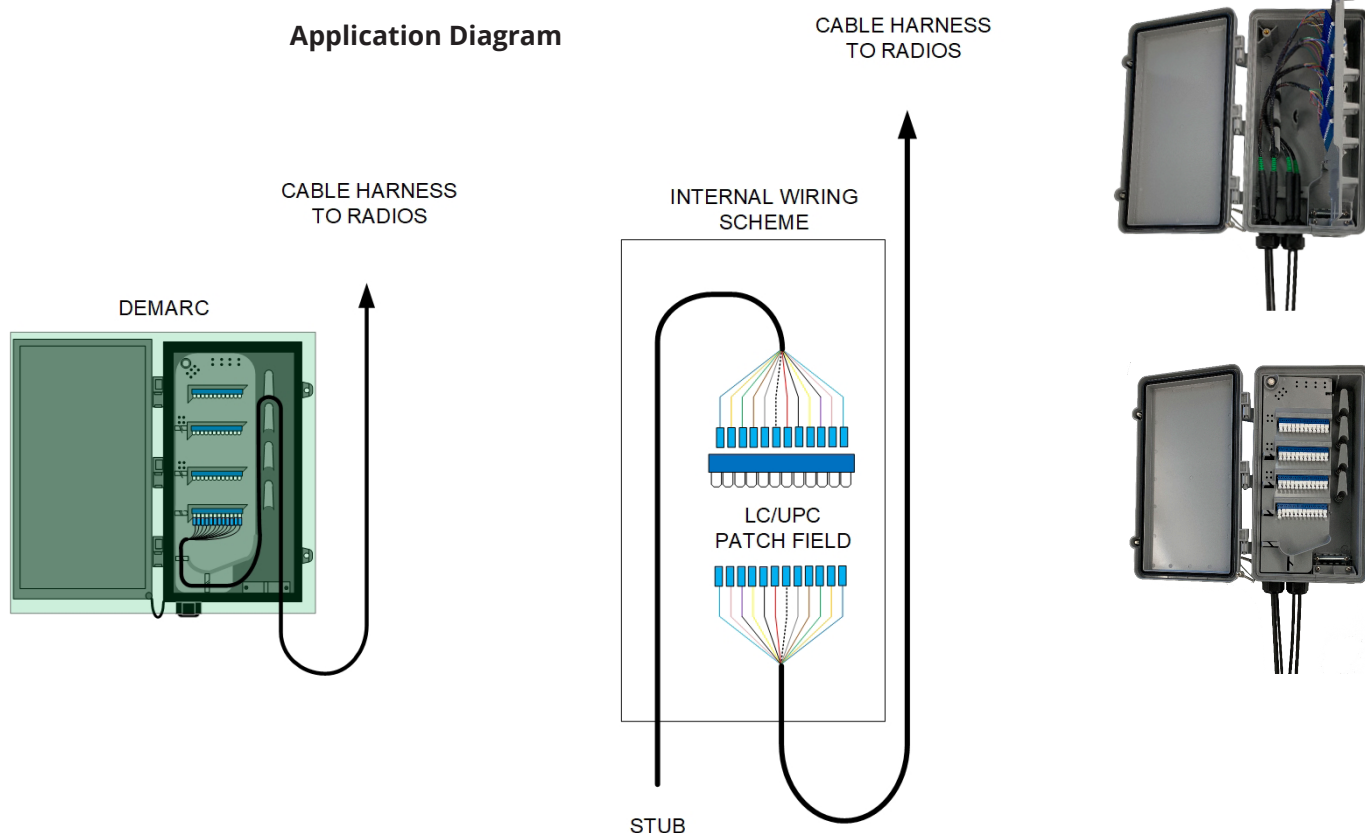
24-Fiber Transition Boxes:

Part Number/PeopleSoft	Description	SSI	MMID
19223W2WF240200F	Transition Box, Stub to (2) 12F LC/UPC assemblies, 200F	11369500	10855442
19223W2WF240500F	Transition Box, Stub to (2) 12F LC/UPC assemblies, 500F	11369501	10855435
19223W2WF241000F	Transition Box, Stub to (2) 12F LC/UPC assemblies, 1000F	11369502	10855436
19223W2WF241500F	Transition Box, Stub to (2) 12F LC/UPC assemblies, 1500F	11369503	10855419
19223W2WF242000F	Transition Box, Stub to (2) 12F LC/UPC assemblies, 2000F	11369504	10855378
19223W2WF242500F	Transition Box, Stub to (2) 12F LC/UPC assemblies, 2500F	11369505	10855443
19223W2WF243000F	Transition Box, Stub to (2) 12F LC/UPC assemblies, 3000F	11369506	10855407

48-Fiber Transition Boxes:

Part Number/PeopleSoft	Description	SSI	MMID
19223W2WF480200F	Transition Box, Stub to (4) 12F LC/UPC assemblies, 200F	11369508	10855379
19223W2WF480500F	Transition Box, Stub to (4) 12F LC/UPC assemblies, 500F	11369509	10855437
19223W2WF481000F	Transition Box, Stub to (4) 12F LC/UPC assemblies, 1000F	11369510	10855408
19223W2WF481500F	Transition Box, Stub to (4) 12F LC/UPC assemblies, 1500F	11369511	10855420
19223W2WF482000F	Transition Box, Stub to (4) 12F LC/UPC assemblies, 2000F	11369512	10855438
19223W2WF482500F	Transition Box, Stub to (4) 12F LC/UPC assemblies, 2500F	11369513	10855409
19223W2WF483000F	Transition Box, Stub to (4) 12F LC/UPC assemblies, 3000F	11369514	10855444

Application Diagram



Mounting Bracket Options:

Part Number/PeopleSoft	Description	SSI	MMID
W2W-AER-01	Bracket Aerial Strand	11369515	10855441
W2W-PMM-01	Bracket Metal Pole	11369516	10855452
W2W-PMW-01	Bracket Wood Pole	11369517	10855445
W2W-WMB-01	Bracket Wall Mount	11369518	10855453
W2W-MPB-01	Bracket Monopole	11369519	